



Instructions for the following series products:

**Sayline™ Multi-Span Wire Rope Horizontal Lifeline**

(See inside back page for specific model numbers.)

**Fall Protection**

**User Instruction Manual**

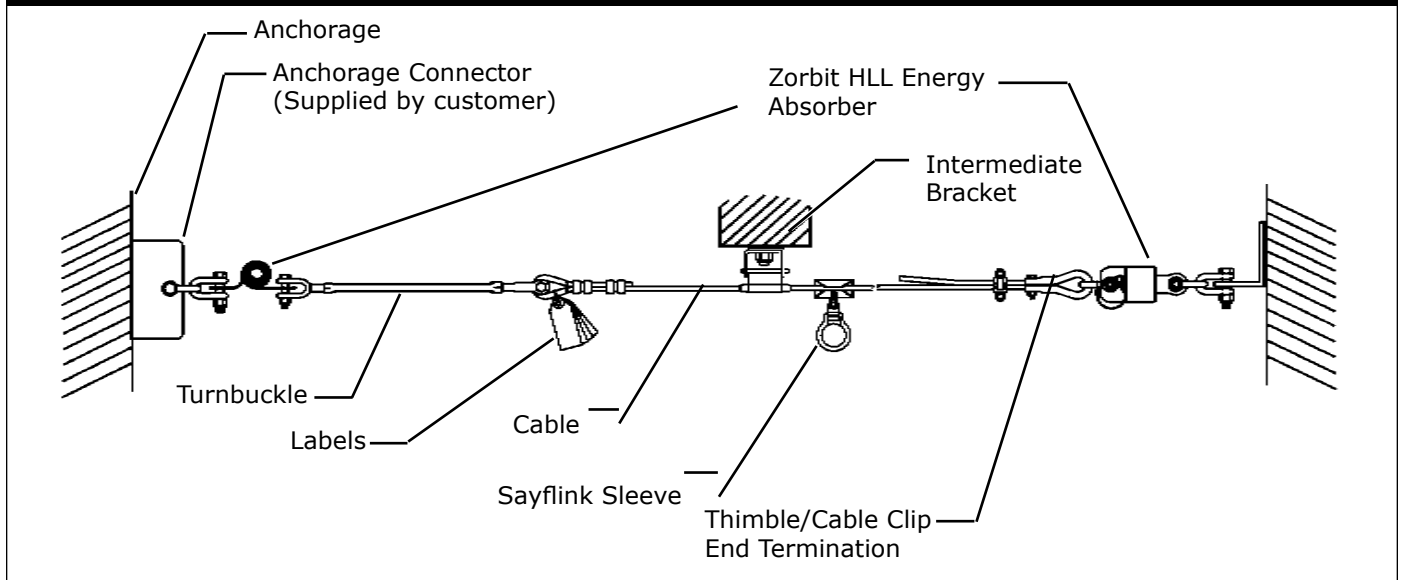
**Sayline™ Multi-span Wire Rope Horizontal Lifeline**

This manual is intended to meet the Manufacturer’s Instructions requirement of applicable standards defined in Section 1.2 and should be used as part of an employee training program as required by the identified agencies.

**WARNING:** This product is part of a fall protection system. The users must read and follow the manufacturer’s instructions for each component of the system. These instructions must be provided to the users of this equipment. The users must read and understand these instructions before using this equipment. Manufacturer’s instructions must be followed for proper use and maintenance of this product. Alterations or misuse of this product, or failure to follow instructions, may result in serious injury or death.

**IMPORTANT:** If you have questions on the use, care, or suitability of this equipment for your application, contact 3M Fall Protection.

**Figure 1 - Typical Sayline™ Multi-span Wire Rope Horizontal Lifeline System**



**1.0 APPLICATION**

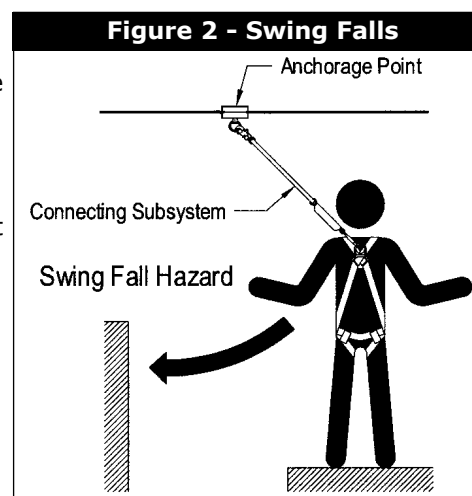
**1.1 PURPOSE:** The Sayline Multi-span Wire Rope Horizontal Lifeline System is designed for use as an anchoring means for one or two personal fall arrest system (PFAS) or fall restraint system. Use the Sayline Horizontal Lifeline (HLL) where horizontal mobility and fall protection is required. The Sayline Horizontal Lifeline may not be used for fall protection of material or equipment.

**1.2 LIMITATIONS:** The following limits apply to the installation and use of Sayline Multi-span Wire Rope Horizontal Lifeline System. Other limitations may apply:

**IMPORTANT:** The employer must ensure that each horizontal lifeline is designed, installed, and used under the supervision of a qualified person; and is part of a complete personal fall arrest system that maintains a safety factor of at least two. Reference OSHA 1010.140 (c) (11). See also OSHA 1926.502 (d)(8).

**QUALIFIED PERSON:** Qualified describes a person who, by possession of a recognized degree, certificate, or professional standing, or who by extensive knowledge, training, and experience has successfully demonstrated the ability to solve or resolve problems relating to the subject matter, the work, or the project. Reference OSHA 1910.140 (b). See also OSHA 1926.32 (m).

- A. HORIZONTAL LIFELINE SPAN:** The maximum horizontal lifeline total length is 180 ft. (55 m) with a Zorbit HLL energy absorber installed on each end of the system. See Figure 1. Systems that are more than 30 ft. (9 m) in length must include an intermediate bracket for every 30 ft. span (9 m). The span length must be reduced when clearance is limited. See section 3.3 for clearance information.
- B. ANCHORAGES:** The Sayline horizontal lifeline must be installed on anchorages that meet the requirements specified in section 2.5.
- C. SYSTEM CAPACITY:** The maximum capacity of the Sayline horizontal lifeline is two persons. The maximum weight of each person, including tools and clothing, is 310 lbs (141 kg).
- D. CONNECTING SUBSYSTEM:** Each person's connecting subsystem must limit fall arrest forces to 900 lbs. (4 kN) or less. See section 2.6.
- E. FREE FALL:** Rig and use the personal fall arrest system such that the maximum potential free fall does not exceed government regulatory and subsystem manufacturer's requirements. The personal fall arrest system must be rigged to limit free falls to six feet or less when using an energy absorbing lanyard, or such that the SRL is overhead and without slack, according to OSHA requirements. See section 3.0 and subsystem manufacturer's instructions for more information.
- F. SWING FALLS:** See Figure 2. Swing falls occur when the anchorage point is not directly overhead. The force of striking an object in a swing fall may cause serious injury or death. Minimize swing falls by working as directly below the anchorage point as possible. Do not permit a swing fall if injury could occur. Swing falls will significantly increase the clearance required when a self retracting lifeline or other variable length connecting subsystem is used. If a swing fall situation exists in your application, contact 3M Fall Protection before proceeding.
- G. FALL CLEARANCE:** There must be sufficient clearance below the worker to arrest a fall before striking the lower level or obstruction. See section 3.3 for required clearance information.
- H. BODY SUPPORT:** Sayline Multi-span Wire Rope Horizontal Lifelines must only be used with personal fall arrest systems incorporating a full body harness.
- I. PHYSICAL AND ENVIRONMENTAL HAZARDS:** Use of this equipment in areas with physical or environmental hazards may require additional precautions to reduce the possibility of injury to the user or damage to the equipment. Hazards may include, but are not limited to; heat, chemicals, corrosive environments, high voltage power lines, gases, moving machinery, and sharp edges. Contact 3M Fall Protection if you have questions about using this equipment where physical or environmental hazards exist.
- J. TRAINING:** This equipment must be installed and used by persons trained in the correct application and use of this equipment. See section 5.0.



**1.3 APPLICABLE STANDARDS:** Refer to national standards, including ANSI Z359.1-1992, and local, state, and federal (OSHA 1910.66 and 1926.502) requirements for more information on personal fall arrest systems and associated components.

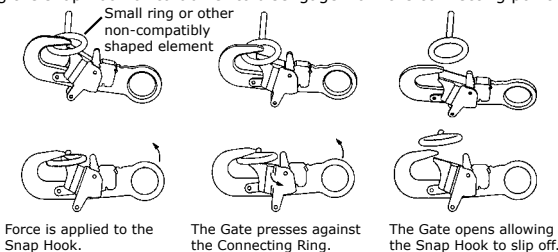
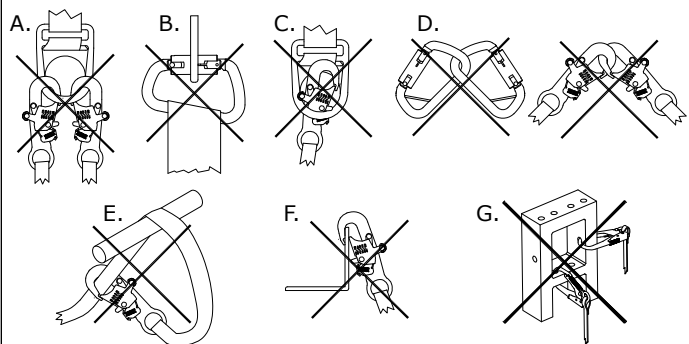
## 2.0 SYSTEM REQUIREMENTS

**2.1 PERSONAL FALL ARREST SYSTEM COMPONENTS:** The Sayline horizontal lifeline must be used with 3M Fall Protection approved components and subsystems. Non-approved components may be incompatible, and could affect the safety and reliability of the complete system. Personal fall arrest components used with this system must meet all applicable OSHA and ANSI requirements. A full body harness must be used with this system. The connecting subsystem between the harness and horizontal lifeline must limit fall arrest forces to 900 lbs. or less.

**2.2 COMPATIBILITY OF CONNECTORS:** Connectors are considered to be compatible with connecting elements when they have been designed to work together in such a way that their sizes and shapes do not cause their gate mechanisms to inadvertently open regardless of how they become oriented. Contact 3M Fall Protection if you have any questions about compatibility.

**Figure 3 - Unintentional Disengagement**

If the connecting element to which a snap hook (shown) or carabiner attaches is undersized or irregular in shape, a situation could occur where the connecting element applies a force to the gate of the snap hook or carabiner. This force may cause the gate (of either a self-locking or a non-locking snap hook) to open, allowing the snap hook or carabiner to disengage from the connecting point.

**Figure 4 - Inappropriate Connections**

Connectors (hooks, carabiners, and D-rings) must be capable of supporting at least 5,000 lbs. (22kN). Connectors must be compatible with the anchorage or other system components. Do not use equipment that is not compatible. Non-compatible connectors may unintentionally disengage. See Figure 3. Connectors must be compatible in size, shape, and strength. Self locking snap hooks and carabiners are required by ANSI Z359.1 and OSHA.

**2.3 MAKING CONNECTIONS:** Only use self-locking snap hooks and carabiners with this equipment. Only use connectors that are suitable to each application. Ensure all connections are compatible in size, shape and strength. Do not use equipment that is not compatible. Ensure all connectors are fully closed and locked.

3M Fall Protection connectors (snap hooks and carabiners) are designed to be used only as specified in each product's user's instructions. See Figure 4 for inappropriate connections. 3M Fall Protection snap hooks and carabiners should not be connected:

- A. To a D-ring to which another connector is attached.
- B. In a manner that would result in a load on the gate.

**NOTE:** Large throat opening snap hooks should not be connected to standard size D-rings or similar objects which will result in a load on the gate if the hook or D-ring twists or rotates. Large throat snap hooks are designed for use on fixed structural elements such as rebar or cross members that are not shaped in a way that can capture the gate of the hook.

- C. In a false engagement, where features that protrude from the snap hook or carabiner catch on the anchor and without visual confirmation seems to be fully engaged to the anchor point.
- D. To each other.
- E. Directly to webbing or rope lanyard or tie-back (unless the manufacturer's instructions for both the lanyard and connector specifically allow such a connection).
- F. To any object which is shaped or dimensioned such that the snap hook or carabiner will not close and lock, or that roll-out could occur.
- G. In a manner that does not allow the connector to align properly while under load.

**2.4 ANCHORAGE CONNECTORS:** 3M Fall Protection does not supply anchorage fasteners. Connectors used to attach the horizontal lifeline to end anchors must be compatible with the connection point. The connection must be positive; and, with connecting elements, capable of sustaining a 5,000 lb. (22 kN) load without failure.

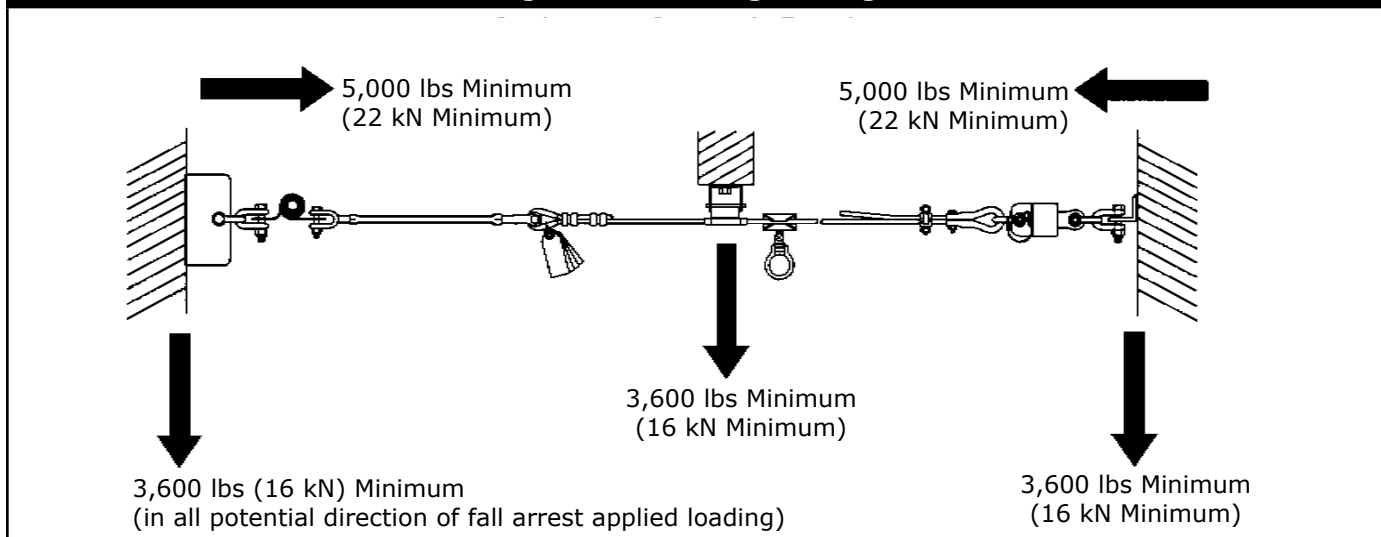
The intermediate brackets require a 1/2-13 UNC bolt meeting SAE Grade 5 strength minimum. A flat washer, lock washer and a nut are also required. A locking nut may be used in place of the lock washer and plain nut.

**2.5 STRUCTURE LOAD:** Structural anchorage points must be rigid, and capable of supporting at least 5,000 lbs. (22 kN) along the axis of the horizontal lifeline. Anchorages, including the intermediate brackets, must also support at least 3,600 lbs. (16 kN) applied in all potential directions of fall arrest that are perpendicular to the axis of the horizontal lifeline. See Figure 5.

**WARNING:** Anchorages must be rigid. Large deformations of the anchorage will affect system performance, and may increase the required fall clearance below the system, which could result in serious injury or death.

**2.6 CONNECTING SUBSYSTEM:** The connecting subsystem is the portion of the personal fall arrest system that is used to connect between the horizontal lifeline subsystem and harness fall arrest attachment element. The connecting subsystem must limit forces applied to the horizontal lifeline to 900 lbs. (4 kN) or less.

**Figure 5 - Anchorage Strength**



### 3.0 INSTALLATION

#### 3.1 Inspection

Upon receipt of the Sayflite Horizontal Lifeline System, inspect all components and user equipment for defects and/or damage. If any Sayflite components or 3M Fall Protection equipment are found to be damaged, defective, or missing, contact 3M Fall Protection immediately for replacements. Do not use any defective or damaged parts in a Sayflite Horizontal Lifeline System installation.

**WARNING:** Use of defective or damaged parts will hinder the performance of the Sayflite system, potentially causing serious injury or death in the event of a fall.

#### 3.2 Safety

A separate means of fall protection must be utilized during the installation of a Sayflite System. A separate means of fall protection must be used when inspecting or servicing a Sayflite System following a fall.

3M Fall Protection recommends the use of certified eye protection, steel toe boots and gloves be worn during the installation of the horizontal lifeline system.

**WARNING:** Do not alter or intentionally misuse this equipment. Use caution when using this equipment around moving machinery, electrical and chemical hazards, and sharp edges.

### 3.3 SYSTEM INSTALLATION:

Figure 1 shows a typical horizontal lifeline system installation. When using an energy absorbing lanyard to connect to the system, the anchorages must be located at a height above the working level which will limit the free fall to six feet. The length of the lanyard must be considered when determining the height of the anchorages.

When using a self retracting lifeline (SRL) to connect to the system, the end anchorages must be located above the user. The SRL, when fully retracted, must be above the harness attachment level. The horizontal lifeline system should be positioned at a level that will minimize free fall while allowing ease of use.

The horizontal lifeline should be positioned near the work location to minimize swing fall hazards. The connecting subsystem length should be kept as short as possible to reduce the potential free fall and required clearance distance.

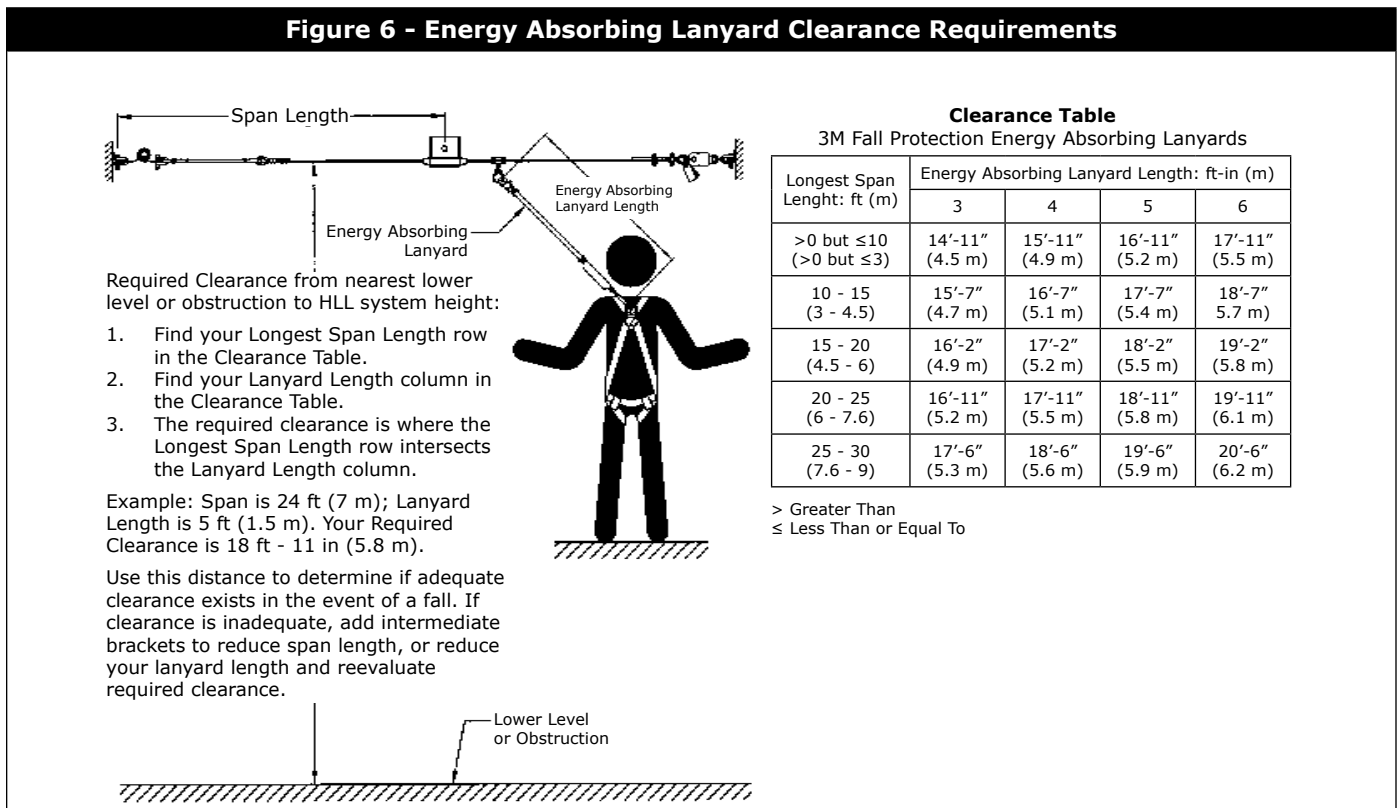
Both anchorages must be installed at approximately the same elevation, so that the horizontal lifeline system is not sloped more than a 1:12 pitch (1 inch [3 cm] rise over a 12 inch [30 cm] run). The cable must be in a straight line; no curves or turns are allowed in a Sayflink Multi-span Lifeline installation.

The installation process consists of the following steps:

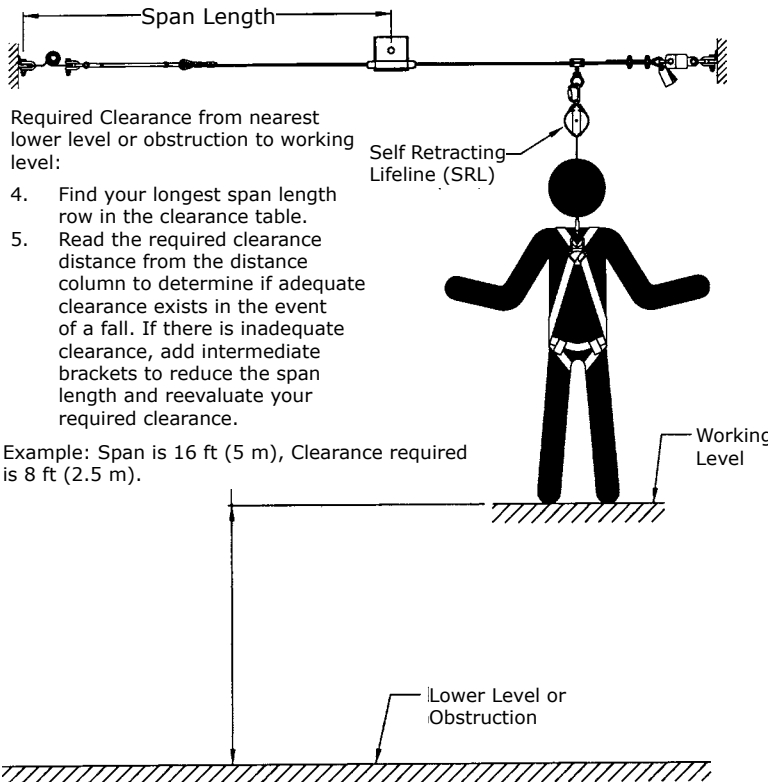
1. Determine the location of end anchors and intermediate brackets.
2. Determine the orientation of the intermediate brackets
3. Attach one end to its anchor point.
4. Install cable guides and Sayflink sleeves onto the cable.
5. Assemble intermediate brackets into their anchor points.
6. Unthread turnbuckle(s)
7. Attach the other cable end to its anchor point and tension the cable

The steps are described in detail below:

**Step 1.** Determine the locations of the end anchorages and evaluate their strengths in accordance with section 2.4. Determine the number of intermediate brackets necessary for your application. There must be one intermediate bracket for every 30 feet (9 m) of cable for systems over 30 feet (9 m) in length. Additional intermediate brackets (Part No. 7608001) may be purchased from 3M Fall Protection. Use Figures 6 and 7 to determine the span length and evaluate the required clearance. Figures 6 and 7 apply to one or two users connected to the system.



**Figure 7 - Self Retracting Lifeline Clearance Requirements**



**WARNING:** This information only applies when the HLL and SRL are located overhead and above the level of the harness attachment point, and the user is standing.

**Clearance Table**

3M Fall Protection Self Retracting Lifelines

Longest Span Length: ft (m)	Required Distance: ft-in (m)
>0 (0) but ≤10 (3)	6'-11" (2.1)
10 (3) - 20 (6)	8'-0" (2.4)
20 (6) - 30 (90)	9'-1" (2.8)

> Greater Than  
 ≤ Less Than or Equal To

Required Clearance from nearest lower level or obstruction to working level:

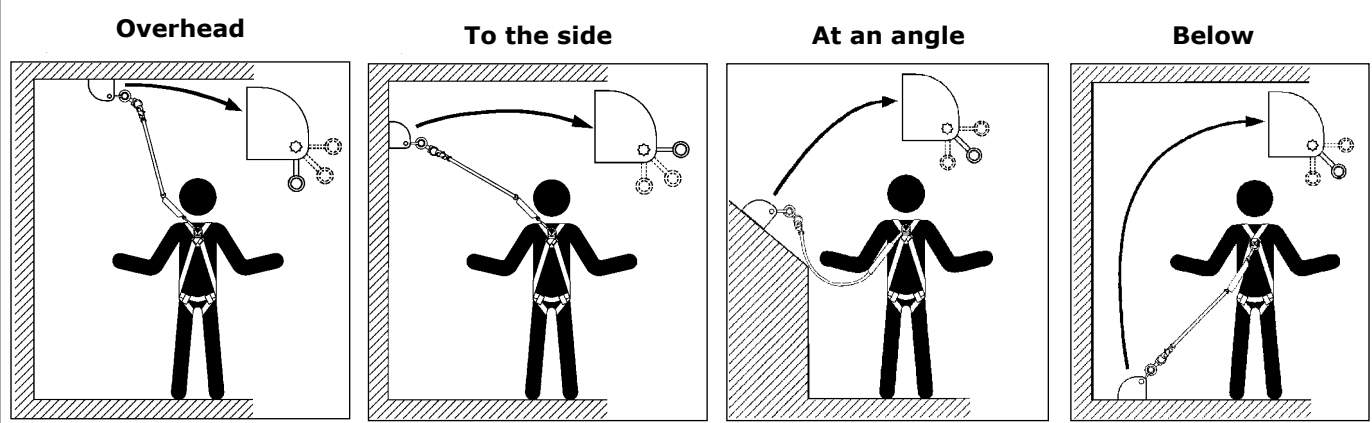
- Find your longest span length row in the clearance table.
- Read the required clearance distance from the distance column to determine if adequate clearance exists in the event of a fall. If there is inadequate clearance, add intermediate brackets to reduce the span length and reevaluate your required clearance.

Example: Span is 16 ft (5 m), Clearance required is 8 ft (2.5 m).

**Step 2.** Determine the correct orientation of the intermediate brackets. Depending on the positioning of the cable, the intermediate brackets may be installed in one of three orientations. See Figure 8 for the bracket orientations.

*Note: A maximum free fall distance of 6 ft. must be maintained in all bracket positions; a system with brackets mounted below the user should only be used for fall restraint applications.*

**Figure 8 - Bracket Orientations**



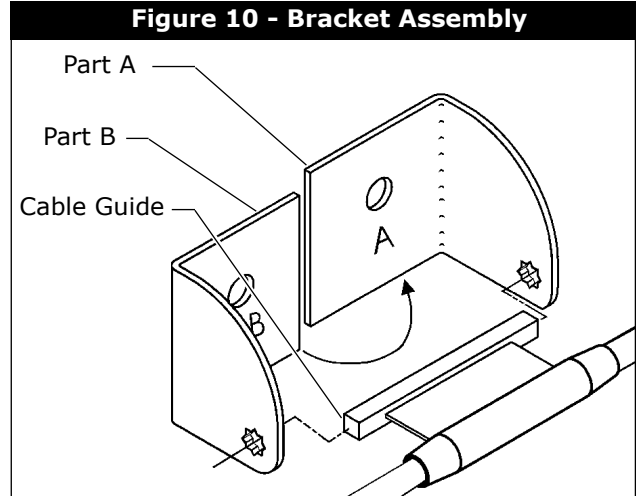
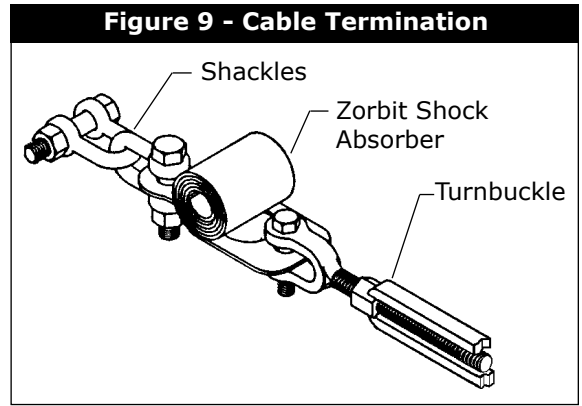
**Step 3.** To attach the cable to the first anchor point, link one pair of shackles together, then connect one side of the linked shackles to the anchor using the included nut and bolt. Connect the other side of the shackles to the Zorbit that's connected to the turnbuckle. See Figure 9. The horizontal lifeline system may be secured directly to the anchorage if the anchorage incorporates a connecting element that meets the requirements specified in section 2.4. The user must supply the anchorage hardware. Tighten bolts and nuts used to connect the system to the anchorage connectors. Slide the Sayflink sleeve(s) onto the lifeline before terminating the other end of the cable to the anchor.

**Step 4.** If additional intermediate brackets are purchased, slide all of the cable guides from the brackets onto the cable before installing the cable.

**Step 5.** The intermediate brackets are composed of three parts: two side plates and a cable guide. Each of the plates is stamped with the letter "A" or "B". See Figure 10. To assemble a bracket, start by placing a cable guide into Part A at the appropriate angle as determined in Step 2. Then slide Part B onto the cable guide at the same angle and nestle Part B into Part A. Place the assembled bracket at its designated anchor point and anchor it by placing the user supplied bolt through a flat washer and then through the mated holes in the bracket and into the anchor point. The bolt may be installed through the anchor and into the bracket if preferred, but the washer must remain inside the bracket, between the bracket and the bolt head or nut. Torque the anchor hardware to 55 ft./lbs (75 nM).

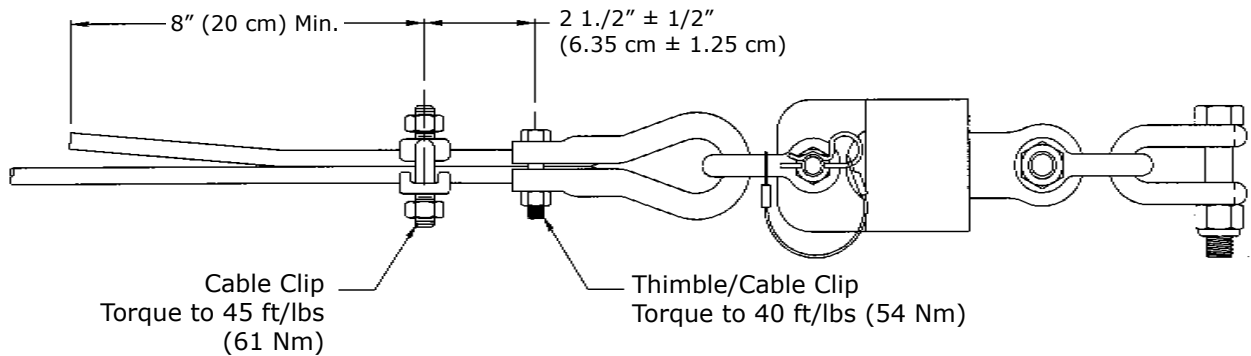
**Step 6.** Before terminating the second end of the horizontal lifeline, unthread the turnbuckle on the first end so that only four threads are visible inside the turnbuckle body. This will allow for maximum tensioning of the system after anchoring the second end. Install all of the Saylink sleeves onto the cable before terminating the second end.

**Step 7.** To terminate the second end of the cable to its anchor, attach the shackles to the anchor and Zorbit as described in Step 3. Then attach the thimble and connecting hardware to the Zorbit. See Figure 11. Slide the lifeline through the thimble. Remove excess slack by pulling the wire rope through the thimble and cable clip. Maintain tension while torquing the cable clip nut and the thimble clip nut to the values specified in Figure 11. Tension the wire rope by turning the turnbuckle at the other end of the installation. The unrestrained turnbuckle jaw end must be prevented from turning to prevent twisting the wire rope. The wire rope must be tensioned until the sag on the system at mid-span, between intermediate brackets, is two inches or less, with no weight on the wire rope.

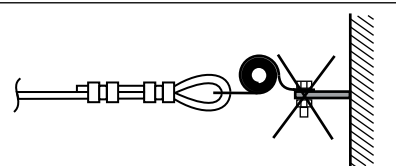


**Figure 11 - Thimble/Cable Clip End Termination**

Sayline Wire Rope HLL System End Termination



**CAUTION:** Do not rigidly mount Zorbit to structure or stanchion. May cause failure due to bending. Mount so Zorbit can pivot and move freely as shown in Figures 9 and 11.



## 4.0 OPERATION AND USE

**WARNING:** Consult your doctor if there is reason to doubt your fitness to absorb the impact from a fall arrest. Age and fitness can affect your ability to withstand fall arrest forces. Pregnant women and minors must not use the Sayflink Multi-span Wire Rope Horizontal Lifeline System.

- 4.1 BEFORE EACH USE** inspect this equipment according to steps listed in section 6.4. Do not use this equipment if inspection reveals an unsafe or defective condition. Plan your use of the fall protection system prior to exposing workers to dangerous situations. Consider all factors affecting your safety before using this system.
- A.** Read and understand all manufacturer's instructions for each component of the personal fall arrest system. All 3M Fall Protection harnesses and connecting subsystems are supplied with separate user instructions. Keep all instructions for future reference.
  - B.** Review sections 1.0 and 2.0 to ensure system limitations and other requirements have been adhered to. Review applicable information regarding system clearance criteria, and ensure changes have not been made to the system installation (i.e. length), or occurred at the job site, that could affect the required fall clearance. Do not use the system if changes are required.

### 4.2 USE OF THE SYSTEM:

- A. PERSONAL FALL ARREST SYSTEM COMPONENTS:** Inspect and don the full body harness according to manufacturer's instructions. Attach the connecting subsystem (energy absorbing lanyard or self retracting lifeline) to the dorsal connection on the harness. If a self retracting lifeline (SRL) is used, 3M Fall Protection recommends using SRLs that are 20 feet (6 m) long or shorter. The weight of longer SRLs may cause the Sayflink sleeve to catch on intermediate brackets, causing the lifeline to extend which may result in an unexpected swing fall.

**WARNING:** If the Sayflink sleeve catches on an intermediate bracket, the SRL lifeline may extend while the worker moves along the HLL. This will increase fall distance and create a swing fall hazard which may result in serious injury or death.

- B. CONNECTING TO THE HLL SYSTEM:** Approach the work area using the appropriate access equipment. Connect the personal fall arrest system to one of the D-rings on a Sayflink sleeve on the HLL. Connectors must meet all compatibility and strength requirements.
- C. WALKING ALONG THE SYSTEM:** Once attached to the Sayflink System, the Sayflink Sleeve will follow the user along the lifeline and will automatically pass over each intermediate support bracket.

**WARNING:** Movement along the Sayflink System must be done manually by the user of the system. Never allow moving stock (such as railcars) to move the user along the Sayflink System. This could cause serious injury or death.

- D. HAZARDOUS SITUATIONS:** Do not take unnecessary risks, such as jumping or reaching too far from the edge of the working surface. Do not allow the connecting subsystem to pass under arms or between feet. To avoid inadequate fall clearance, do not climb above the HLL. To avoid swing fall hazards, do not work too far from either side of the HLL.
- E. TWO PERSONS CONNECTED TO THE HLL:** When a person falls while connected to the HLL, the system will deflect. If two persons are connected to the same HLL, and one person falls, the second person may be pulled off the working surface due to deflection. The potential for the second person falling increases as the HLL span length increases. The use of independent HLL systems for each person, or shorter span length, is recommended to minimize the potential of the second person falling.
- F. FREE FALL:** The personal fall arrest system must be rigged to limit free falls to 6 ft. (1.8 m) or less when using an energy absorbing lanyard, or such that the SRL is overhead and without slack, according to OSHA requirements.
- G. SHARP EDGES:** Avoid working where the connecting subsystem or other system components will be in contact with, or abrade against, unprotected sharp edges. If working around sharp edges is unavoidable, provide protection by securing a heavy pad or other means over the exposed edge.
- H. IN THE EVENT OF A FALL:** The responsible party must have a rescue plan and the ability to implement a rescue. Tolerable suspension time in a full body harness is limited, so a prompt rescue is critical.



**IMPORTANT:** Use care when handling an expended Zorbit energy absorber. The tearing of the energy absorber material produces extremely sharp edges.

**I. RESCUE:** With the number of potential scenarios for a worker requiring rescue, an on site rescue team is beneficial. The rescue team is given the tools, both in equipment and techniques, so it can perform a successful rescue. Training should be provided on a periodic basis to ensure rescuers' proficiency.

**4.3 SYSTEM REMOVAL:** When no longer required, the HLL system should be removed from the job site. To slacken the HLL, loosen the turnbuckle until tension is removed from the wire rope. Disconnect the HLL system from the anchorages. Ensure there are no knots or kinks in the wire rope before storage.

## **5.0 TRAINING**

**5.1** It is the responsibility of all users of this equipment to understand these instructions, and to be trained in the correct installation, use, and maintenance of this equipment. These individuals must be aware of the consequences of improper installation or use of this equipment. This user manual is not a substitute for a comprehensive training program. Training must be provided on a periodic basis to ensure proficiency of the users.

## **6.0 INSPECTION**

**6.1 BEFORE EACH INSTALLATION:** Inspect the Zorbit HLL energy absorbers, kit components, and other system components according to these or other manufacturer's instructions. System components must be formally inspected by a Competent<sup>1</sup> person (other than the user). Formal inspections should concentrate on visible signs of deterioration or damage to the system components. Items found to be defective must be replaced. Do not use components if inspection reveals an unsafe or defective condition. Record results of each inspection in the inspection and maintenance log in section 11.0 of this manual.

**6.2 INSTALLED SYSTEMS:** An inspection of the HLL system by a Competent person must be completed after the system is installed. The system must be periodically inspected by a Competent person when left installed for an extended period. Periodic inspections should be performed at least monthly, or more frequently when site conditions and use warrant. Inspections of installed systems should include the inspection steps listed in section 6.4.

**6.3 Annually:** A Competent Person shall inspect the entire system including the anchorage points. Inspect for deterioration or damage. Items found to be defective must be replaced. Do not use components if inspection reveals an unsafe or defective condition. Record the results of each inspection in the Inspection and Maintenance Log in section 11.0 of this manual.

### **6.4 BEFORE SYSTEM USE:**

**Step 1.** Inspect the turnbuckle for damage. Ensure at least four threads are visible inside the turnbuckle body. Look for any cracks or deformities in the metal. Inspect metal components for rust or corrosion that may affect their strength or operation.

**Step 2.** Inspect the wire rope for rust, corrosion, broken wires, or other obvious faults. Inspect the HLL for proper tension. Inspect all hardware (fasteners, shackles, wire rope cable clips, etc.) securing the HLL assembly to ensure they are present and properly installed.

**Step 3.** Inspect the Sayflink Sleeve for excessive wear, damage, or corrosion.

**Step 4.** Inspect the Zorbit HLL energy absorber for extension or deformities. There should be no tearing of the metal between holes in the Zorbit coiled section. Increase inspection frequency if the Zorbit is exposed to prolonged vibration. Extended Zorbit HLL energy absorbers must be removed from service and destroyed, or marked for training only. Inspect securing hardware for strength and function.

**Step 5.** Inspect the intermediate brackets for wear or damage. Check brackets to make certain they are securely attached. Make certain all installed Sayflink sleeves pass freely through the intermediate brackets when moving along the system during normal use.

**Step 6.** Inspect system labels. The labels must be present and fully legible. See section 9.0. Replace labels if missing or illegible.

**IMPORTANT:** If this equipment is subjected to the forces of a fall arrest, it must be removed from service and destroyed, or returned to 3M Fall Protection for inspection or repair.

**6.5** If inspection reveals an unsafe or defective condition, remove unit from service and destroy, or contact 3M Fall Protection for possible repair.

<sup>1</sup> **Competent Person:** One who is capable of identifying existing and predictable hazards in the surroundings or working conditions which are unsanitary, hazardous, or dangerous to employees, and who has authorization to take prompt corrective measures to eliminate them.

**6.6 USER EQUIPMENT:** Inspect harnesses and energy absorbing lanyards or SRL's used with the HLL system according to manufacturer's instructions.

## 7.0 MAINTENANCE, SERVICE, STORAGE

**7.1 MAINTENANCE:** The Sayflink components require no scheduled maintenance, other than repair or replacement of items found defective during inspection. See section 6.0.

**7.2 CLEANING:** If components become heavily soiled with grease, paint, or other substances, clean with appropriate cleaning solutions.

Remove dirt from the cable using a fiber brush. Do not use a wire brush and do not apply any solvents or lubricants without prior approval from 3M Fall Protection.

Clean all other Sayflink components using a nonabrasive cloth and hot water/mild detergent mix. Dry with a clean cloth. Do not use solvents to clean any Sayflink Component. Do not use caustic chemicals that could damage system components.

**7.3 USER EQUIPMENT:** Maintain, service, and store system components according to manufacturer's instructions for each component.

## 8.0 SPECIFICATIONS

### 8.1 MATERIALS:

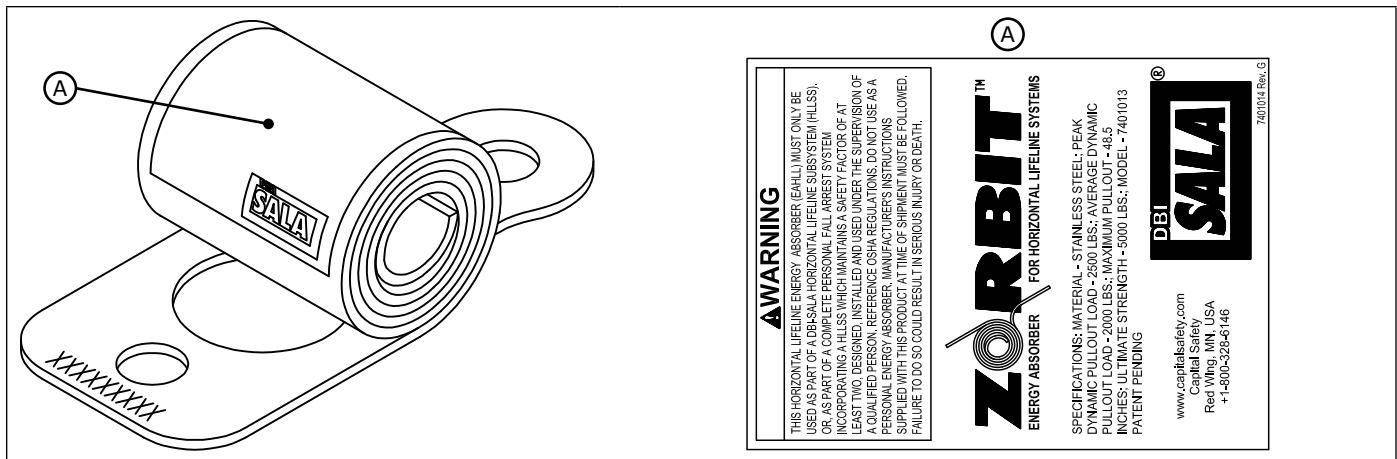
Zorbit Energy Absorber: Stainless steel  
Wire Rope: 3/8 inch diameter, 7x19 galvanized steel  
Bolts: Grade 5 or Grade 8 zinc plated steel  
Nuts: Zinc plated steel  
Intermediate Brackets: 11 ga. hot rolled steel, zinc plated  
Sayflink Sleeve Assembly: alloy steel  
Shackles: Galvanized steel, 5,000 lbs. (22 kN) minimum tensile strength  
Thimbles: Galvanized steel  
Turnbuckle: Galvanized steel, 5,000 lbs. (22 kN) minimum tensile strength  
Cable Clips: Galvanized steel

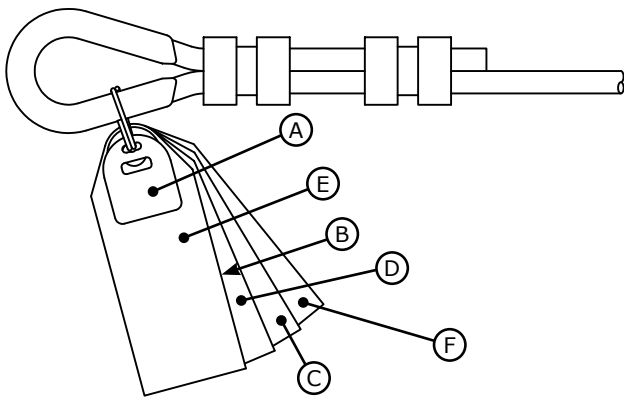
### 8.2 ENERGY ABSORBER PERFORMANCE:

Peak Dynamic Pullout Load: 2,500 lbs. (11 kN)  
Average Dynamic Pullout Load: 2,000 lbs. (9 kN)  
  
Maximum Pullout: 48.5 inches (123 cm)  
Minimum Tensile Strength: 5,000 lbs. (22 kN)  
Patents Pending

## 9.0 LABELING

**9.1** The following labels must be present and fully legible:

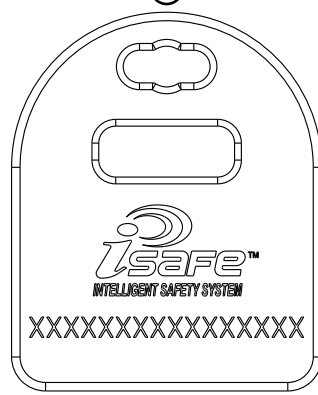




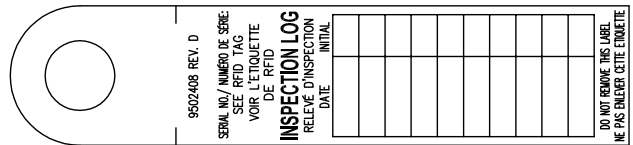
(B)



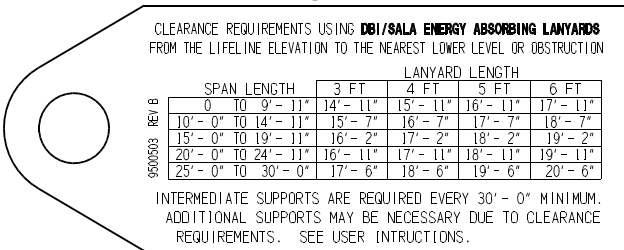
(A)



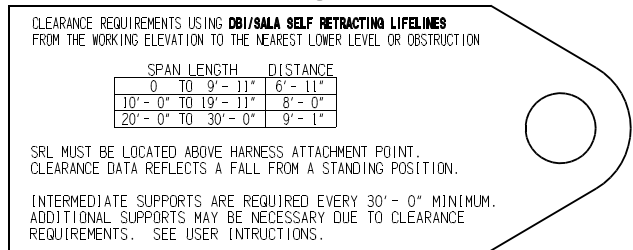
(C)



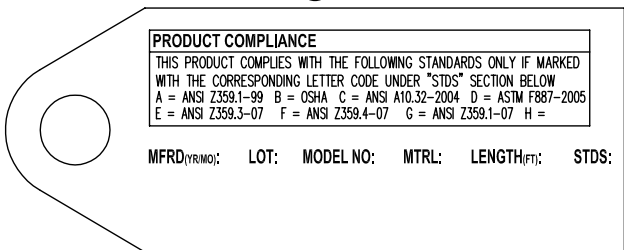
(D)



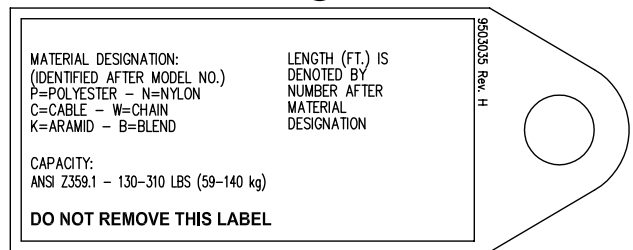
(D)



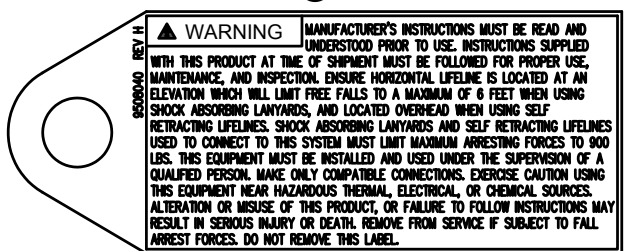
(E)



(E)



(F)



(F)









This instruction applies to the following product models:

7603000	7603070	7603074	7603080	7603160	7603240
7603020	7603071	7603075	7603100	7603180	7603260
7603040	7603072	7603076	7603120	7603200	7603299
7603060	7603073	7603079	7603140	7603220	7608001

Additional Model Numbers may appear on the next printing of this instruction.

## U.S. PRODUCT WARRANTY, LIMITED REMEDY AND LIMITATION OF LIABILITY

**WARRANTY:** THE FOLLOWING IS MADE IN LIEU OF ALL WARRANTIES OR CONDITIONS, EXPRESS OR IMPLIED, INCLUDING THE IMPLIED WARRANTIES OR CONDITIONS OF MERCHANTABILITY OR FITNESS FOR A PARTICULAR PURPOSE.

Unless otherwise provided by applicable law, 3M fall protection products are warranted against factory defects in workmanship and materials for a period of one year from the date of installation or first use by the original owner.

**LIMITED REMEDY:** Upon written notice to 3M, 3M will repair or replace any product determined by 3M to have a factory defect in workmanship or materials. 3M reserves the right to require product be returned to its facility for evaluation of warranty claims. This warranty does not cover product damage due to wear, abuse, misuse, damage in transit, failure to maintain the product or other damage beyond 3M's control. 3M will be the sole judge of product condition and warranty options.

This warranty applies only to the original purchaser and is the only warranty applicable to 3M's fall protection products. Please contact 3M's customer service department at 800-328-6146 or via email at 3MFallProtection@mmm.com for assistance.

**LIMITATION OF LIABILITY:** TO THE EXTENT PERMITTED BY APPLICABLE LAW, 3M IS NOT LIABLE FOR ANY INDIRECT, INCIDENTAL, SPECIAL OR CONSEQUENTIAL DAMAGES INCLUDING, BUT NOT LIMITED TO LOSS OF PROFITS, IN ANY WAY RELATED TO THE PRODUCTS REGARDLESS OF THE LEGAL THEORY ASSERTED.



Fall Protection

### USA

3833 SALA Way  
Red Wing, MN 55066-5005  
Toll Free: 800.328.6146  
Phone: 651.388.8282  
Fax: 651.388.5065  
3Mfallprotection@mmm.com

### Brazil

Rua Anne Frank, 2621  
Boqueirão Curitiba PR  
81650-020  
Brazil  
Phone: 0800-942-2300  
falecoma3m@mmm.com

### Mexico

Calle Norte 35, 895-E  
Col. Industrial Vallejo  
C.P. 02300 Azcapotzalco  
Mexico D.F.  
Phone: (55) 57194820  
3msaludocupacional@mmm.com

### Colombia

Compañía Latinoamericana de Seguridad S.A.S.  
Carrera 106 #15-25 Interior 105 Manzana 15  
Zona Franca - Bogotá, Colombia  
Phone: 57 1 6014777  
fallprotection-co@mmm.com

### Canada

260 Export Boulevard  
Mississauga, ON L5S 1Y9  
Phone: 905.795.9333  
Toll-Free: 800.387.7484  
Fax: 888.387.7484  
3Mfallprotection-ca@mmm.com

### EMEA (Europe, Middle East, Africa)

**EMEA Headquarters:**  
5a Merse Road  
North Moons Moat  
Redditch, Worcestershire  
B98 9HL UK  
Phone: + 44 (0)1527 548 000  
Fax: + 44 (0)1527 591 000  
informationfallprotection@mmm.com

### France:

Le Broc Center  
Z.I. 1re Avenue - BP15  
06511 Carros Le Broc Cedex  
France  
Phone: + 33 04 97 10 00 10  
Fax: + 33 04 93 08 79 70  
informationfallprotection@mmm.com

### Australia & New Zealand

95 Derby Street  
Silverwater  
Sydney NSW 2128  
Australia  
Phone: +(61) 2 8753 7600  
Toll-Free : 1800 245 002 (AUS)  
Toll-Free : 0800 212 505 (NZ)  
Fax: +(61) 2 8753 7603  
anzfallprotectionsales@mmm.com

### Asia

**Singapore:**  
1 Yishun Avenue 7  
Singapore 768923  
Phone: +65-6450 8888  
Fax: +65-6552 2113  
TotalFallProtection@mmm.com

### Shanghai:

19/F, L'Avenue, No.99 Xian Xia Rd  
Shanghai 200051, P R China  
Phone: +86 21 62539050  
Fax: +86 21 62539060  
3MFallProtection-CN@mmm.com

### Korea:

3M Korea Ltd  
20F, 82, Uisadang-daero,  
Yeongdeungpo-gu, Seoul  
Phone: +82-80-033-4114  
Fax: +82-2-3771-4271  
TotalFallProtection@mmm.com

### Japan:

3M Japan Ltd  
6-7-29, Kitashinagawa, Shinagawa-ku, Tokyo  
Phone: +81-570-011-321  
Fax: +81-3-6409-5818  
psd.jp@mmm.com

**3M.com/FallProtection**







**3M.com/FallProtection**

anzfallprotectionsales@mmm.com  
 Fax: + (61) 2 8753 7603  
 Toll-Free : 0800 212 505 (NZ)  
 Toll-Free : 1800 245 002 (AUS)  
 Phone: + (61) 2 8753 7600  
 Australia  
 Sydney NSW 2128  
 Silverwater  
 95 Derby Street

**Australia & New Zealand**

fallprotection-co@mmm.com  
 Phone: 57 1 6014777  
 Zona Franca - Bogota, Colombia  
 Carrera 106 # 15-25 Interior 105 Manzana 15  
 Compania Latinoamericana de Seguridad S.A.S.  
 Fax: + 33 04 93 08 79 70  
 Informationfallprotection@mmm.com  
 Phone: + 33 04 97 10 00 10  
 France  
 0651 Carros Le Broc Cedex  
 Z.I. Tre Avenue - BP15  
 Le Broc Center

France:  
 Phone: + 82-80-033-4114  
 Yeongdeungpo-gu, Seoul  
 20F, 82, Ulsadang-daero,  
 3M Korea Ltd  
 Korea:  
 Informationfallprotection@mmm.com  
 Fax: + 44 (0)1527 591 000  
 Phone: + 44 (0)1527 548 000  
 B98 9HL UK  
 Redditch, Worcestershire

**EMEA (Europe, Middle East, Africa)**

3Mfallprotection-ca@mmm.com  
 Fax: 888.387.7484  
 Toll-Free: 800.387.7484  
 Phone: 905.795.9333  
 Mississauga, ON L5S 1Y9  
 260 Export Boulevard  
 Canada

**Fall Protection**



USA  
 3833 SALA Way  
 Red Wing, MN 55066-5005  
 Toll Free: 800.328.6146  
 Phone: 651.388.8282  
 Fax: 651.388.5065  
 3Mfallprotection@mmm.com  
 Brazil  
 Rua Anne Frank, 2621  
 Boqueirão Curitiba PR  
 81650-020  
 Brazil  
 Phone: 0800-942-2300  
 falecom3m@mmm.com  
 Mexico  
 Calle Norte 35, 895-E  
 Col. Industrial Vallejo  
 C.P. 02300 Acapatzalco  
 Mexico D.F.  
 Phone: (55) 57194820  
 3msalidocupacional@mmm.com  
 Colombia  
 Compania Latinoamericana de Seguridad S.A.S.  
 Carrera 106 # 15-25 Interior 105 Manzana 15  
 Zona Franca - Bogota, Colombia  
 Phone: 57 1 6014777  
 fallprotection-co@mmm.com

**GLOBAL PRODUCT WARRANTY, LIMITED REMEDY AND LIMITATION OF LIABILITY**

**WARRANTY:** THE FOLLOWING IS MADE IN LIEU OF ALL WARRANTIES OR CONDITIONS, EXPRESS OR IMPLIED, INCLUDING THE IMPLIED WARRANTIES OR CONDITIONS OF MERCHANTABILITY OR FITNESS FOR A PARTICULAR PURPOSE.  
 Unless otherwise provided by local laws, 3M fall protection products are warranted against factory defects in workmanship and materials for a period of one year from the date of installation or first use by the original owner.  
**LIMITED REMEDY:** Upon written notice to 3M, 3M will repair or replace any product determined by 3M to have a factory defect in workmanship or materials. 3M reserves the right to repair product be returned to its facility for evaluation of warranty claims. This warranty does not cover product damage due to wear, abuse, misuse, damage in transit, failure to maintain the product or other damage beyond 3M's control. 3M will be the sole judge of product condition and warranty options.  
 This warranty applies only to the original purchaser and is the only warranty applicable to 3M's fall protection products. Please contact 3M's customer service department in your region for assistance.  
**LIMITATION OF LIABILITY:** TO THE EXTENT PERMITTED BY LOCAL LAWS, 3M IS NOT LIABLE FOR ANY INDIRECT, INCIDENTAL, SPECIAL OR CONSEQUENTIAL DAMAGES INCLUDING, BUT NOT LIMITED TO LOSS OF PROFITS, IN ANY WAY RELATED TO THE PRODUCTS REGARDLESS OF THE LEGAL THEORY ASSERTED.

**GARANTEE INTERNATIONALE DU PRODUIT, RECOURS LIMITE ET LIMITATION DE RESPONSABILITE**

**GARANTEE :** CE QUI SUIT REMPLACE TOUTES LES GARANTIES OU CONDITIONS, EXPRESSES OU IMPLIQUES, Y COMPRIS LES GARANTIES OU LES CONDITIONS IMPLIQUES RELATIVES A LA QUALITE MARCHANDE ET A L'ADAPTATION A UN USAGE PARTICULIER.  
 Sauf disposition contraire de la loi, les produits de protection antichute 3M sont garantis contre tout défaut de fabrication en usine et de matériaux pour une période d'un (1) an à compter de la date d'installation ou de la première utilisation par le propriétaire initial.  
**RECOURS LIMITE :** Moyennant un avis écrit à 3M, 3M réparera ou remplacera tout produit présentant un défaut de fabrication en usine ou de matériaux, tel que déterminé par 3M. 3M se réserve le droit d'exiger le retour du produit dans ses installations afin d'évaluer la réclamation de garantie. Cette garantie ne couvre pas les dommages au produit résultant de l'usage, d'un abus ou d'une mauvaise utilisation, les dommages subis pendant l'expédition, le manque d'entretien du produit ou d'autres dommages en dehors du contrôle de 3M. 3M jugera seul de l'état du produit et des options de garantie.  
 Cette garantie s'applique uniquement à l'acheteur initial et est la seule garantie applicable aux produits de protection antichute de 3M. Veuillez communiquer avec le service à la clientèle de 3M de votre région pour obtenir de l'aide.  
**LIMITATION DE RESPONSABILITE :** DANS LES LIMITES PREVUES PAR LES LOIS LOCALES, 3M NE SERA TENUE POUR RESPONSABLE DE TOUT DOMMAGE INDIRECT, ACCESSOIRE, SPECIFIQUE OU CONSÉCUTIF INCLUANT, SANS S'Y LIMITER, LA PERTE DE PROFIT, LIES DE QUELQUE MANIERE AUX PRODUITS, QUELLE QUE SOIT LA THEORIE LEGALE INVOQUEE.

Ces directives se rapportent aux modèles des produits suivants :					
7603000	7603070	7603074	7603080	7603160	7603240
7603020	7603071	7603075	7603100	7603180	7603260
7603040	7603072	7603076	7603120	7603200	7603299
7603060	7603073	7603079	7603140	7603220	7608001
De nouveaux numéros de modèles peuvent apparaître lors de la prochaine impression de ces instructions.					

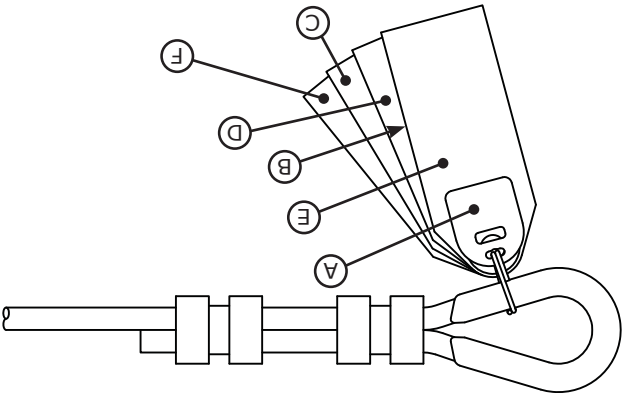
DATE D'INSPECTION	ÉLÉMENTS D'INSPECTION NOTÉS	MESURES CORRECTIVES	ENTRETIEN EFFECTUÉ
Approuvé par :			
Approuvé par :			
Approuvé par :			
Approuvé par :			
Approuvé par :			
Approuvé par :			
Approuvé par :			
Approuvé par :			
Approuvé par :			
Approuvé par :			
Approuvé par :			
Approuvé par :			
Approuvé par :			
Approuvé par :			
Approuvé par :			
Approuvé par :			
Approuvé par :			
Approuvé par :			
Approuvé par :			
Approuvé par :			
Approuvé par :			
Approuvé par :			
Approuvé par :			
Approuvé par :			
Approuvé par :			
Approuvé par :			
Approuvé par :			
Approuvé par :			
Approuvé par :			
Approuvé par :			
Approuvé par :			
Approuvé par :			

<b>DATE D'ACHAT :</b>		<b>DATE DE PREMIÈRE UTILISATION :</b>
<b>NUMÉRO DE SÉRIE :</b>		<b>NUMÉRO DE MODÈLE</b>

**JOURNAL D'INSPECTION ET D'ENTRETIEN**







9502409 Rev. C

This product is i-Scan enabled, and contains an electronic inspection logs, inventory management and other safety log that can be read by compatible readers - providing identification, electronic and print file for des lecteurs compatibles - en fonction des lecteurs de lecture de l'information relative à la protection.

Le produit est équipé dans i-Scan et contient une rampe des données électroniques qui peut être lue par des lecteurs compatibles - en fonction des lecteurs de lecture de l'information relative à la protection.

www.capitalsafety.com

9500003 Rev. B

CLEARANCE REQUIREMENTS USING DBI/SALA ENERGY ABSORBING LANYARDS FROM THE LINE ELEVATION TO THE NEAREST LOWER LEVEL OR OBSTRUCTION LANYARD LENGTH

SPAN LENGTH	3 FT	4 FT	5 FT	6 FT
0' - 0"	9' - 11"	14' - 11"	15' - 11"	16' - 11"
10' - 0"	14' - 11"	15' - 7"	17' - 7"	18' - 7"
15' - 0"	19' - 11"	16' - 2"	17' - 2"	18' - 2"
20' - 0"	24' - 11"	16' - 11"	17' - 11"	18' - 11"
25' - 0"	30' - 0"	17' - 6"	18' - 6"	19' - 6"

INTERMEDIATE SUPPORTS ARE REQUIRED EVERY 30' - 0" MINIMUM. ADDITIONAL SUPPORTS MAY BE NECESSARY DUE TO CLEARANCE REQUIREMENTS. SEE USER INSTRUCTIONS.

9500004 Rev. H

**WARNING**

MANUFACTURER'S INSTRUCTIONS MUST BE READ AND UNDERSTOOD PRIOR TO USE. INSTRUCTIONS SUPPLIED WITH THIS PRODUCT AT TIME OF SHIPMENT MUST BE FOLLOWED FOR PROPER USE, MAINTENANCE, AND INSPECTION. ENSURE HORIZONTAL LIFELINE IS LOCATED AT AN ELEVATION WHICH WILL LIMIT FREE FALLS TO A MAXIMUM OF 6 FEET WHEN USING SHOCK ABSORBING LANYARDS, AND LOCATED OVERHEAD WHEN USING SELF-RETRACTING LIFELINES. SHOCK ABSORBING LANYARDS AND SELF-RETRACTING LIFELINES USED TO CONNECT TO THIS SYSTEM MUST LIMIT MAXIMUM ARRESTING FORCES TO 900 LBS. THIS EQUIPMENT MUST BE INSTALLED AND USED UNDER THE SUPERVISION OF A QUALIFIED PERSON. MAKE ONLY COMPATIBLE CONNECTIONS. EXERCISE CAUTION USING THIS EQUIPMENT NEAR HAZARDOUS THERMAL, ELECTRICAL, OR CHEMICAL SOURCES. ALTERATION OR MISUSE OF THIS PRODUCT, OR FAILURE TO FOLLOW INSTRUCTIONS MAY RESULT IN SERIOUS INJURY OR DEATH. REMOVE FROM SERVICE IF SUBJECT TO FALL ARREST FORCES. DO NOT REMOVE THIS LABEL.

PRODUCT COMPLIANCE

THIS PRODUCT COMPLIES WITH THE FOLLOWING STANDARDS ONLY IF MARKED WITH THE CORRESPONDING LETTER CODE UNDER "STDS" SECTION BELOW

E = ANSI Z359.3-07 F = ANSI Z359.4-07 G = ANSI Z359.1-07 H = ANSI Z359.1-99 B = OSHA C = ANSI A10.32-2004 D = ASTM F887-2005

MFRD (rev. no.): LOT: MODEL NO.: MTRL: LENGTH (ft): STDS:

9500005 Rev. H

**DBI/SALA**

www.capitalsafety.com

9502408 Rev. D

SEAL NO. / NUMBER DE SÈCLE: SEE PART NO. VOIR LE NUMÉRO DE PART

**INSPECTION LOG**

RELEVE D'INSPECTION DATE INITIAL

--	--	--	--	--	--	--	--	--	--	--	--

DO NOT REMOVE THIS LABEL WE PASSEZ ENLÈVER CETTE ÉTIQUETTE

9500006 Rev. H

CLEARANCE REQUIREMENTS USING DBI/SALA SELF-RETRACTING LIFELINES FROM THE WORKING ELEVATION TO THE NEAREST LOWER LEVEL OR OBSTRUCTION

SPAN LENGTH	6 FT	8 FT	10 FT	12 FT
0' - 0"	9' - 11"	10' - 0"	10' - 11"	11' - 0"
10' - 0"	19' - 11"	8' - 0"	9' - 11"	10' - 0"
20' - 0"	30' - 0"	9' - 11"	10' - 0"	11' - 0"

SRL MUST BE LOCATED ABOVE HARNESS ATTACHMENT POINT. CLEARANCE DATA REFLECTS A FALL FROM A STANDING POSITION. INTERMEDIATE SUPPORTS ARE REQUIRED EVERY 30' - 0" MINIMUM. ADDITIONAL SUPPORTS MAY BE NECESSARY DUE TO CLEARANCE REQUIREMENTS. SEE USER INSTRUCTIONS.

9500007 Rev. H

MATERIAL DESIGNATION: (IDENTIFIED AFTER MODEL NO.)

POLYESTER - N NYLON

CABLE - W CHAIN

K ARAMID - B BLEND

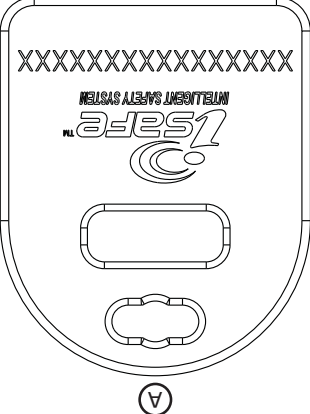
CAPACITY: ANSI Z359.1 - 130-310 LBS (59-140 kg)

**DO NOT REMOVE THIS LABEL**

9500008 Rev. H

**DBI/SALA**

www.capitalsafety.com



9502409 Rev. C

www.capitalsafety.com

9500009 Rev. H

**DBI/SALA**

www.capitalsafety.com

9500010 Rev. H

**DBI/SALA**

www.capitalsafety.com

9500011 Rev. H

**DBI/SALA**

www.capitalsafety.com

**IMPORTANT :** si l'équipement a été soumis à des forces résultant d'un arrêt de chute, il doit être retiré immédiatement du service et détruit, ou retourné à DBI/SALA pour inspection ou réparation.

**6.5** Si l'inspection révèle l'existence d'un défaut ou d'une condition non sécuritaire, retirez immédiatement l'équipement du service et détruisez-le, ou communiquez avec DBI/SALA pour une éventuelle réparation.

**6.6** **EQUIPEMENT DE L'UTILISATEUR :** inspectez les harnais et les longues absorbuses d'énergie ou la ligne de vie auto-rétractable utilisés avec le système de ligne de vie horizontale selon les instructions du fabricant.

**7.0 ENTRETIEN, RÉPARATION ET ENTREPOSAGE**

**7.1 ENTRETIEN :** les composants Sayflin ne nécessitent aucun entretien périodique autre que la réparation ou le remplacement des éléments jugés défectueux lors d'une inspection. Voir Section 6.0.

**7.2 NETTOYAGE :** les composants souillés de graisse, de peinture ou de toute autre substance doivent être nettoyés avec les produits de nettoyage appropriés.

Enlevez les saletés sur le câble avec une brosse de fibres. N'utilisez pas de brosse métallique et n'appliquez aucun solvant ou lubrifiant sans approbation antérieure de DBI/SALA. <sup>(A)</sup>

Nettoyez tous les autres composants Sayflin à l'aide d'un chiffon doux et un mélange d'eau chaude et de détergent doux. Séchez avec un chiffon propre. N'utilisez pas de solvants pour nettoyer les composants Sayflin. N'utilisez pas de produits chimiques caustiques pouvant endommager les composants du système.

**7.3 EQUIPEMENT DE L'UTILISATEUR :** nettoyez, réparez et entreposez les composants du système selon les directives du fabricant.

**8.0 SPÉCIFICATIONS**

**8.1 MATÉRIAUX :**

Absorbéur d'énergie Zorbit : acier inoxydable

Câble métallique : diamètre de 3/8 po (0,95 cm), acier galvanisé 7 x 19

Boulons : acier zingué de classe 5 ou 8

Écrous : acier zingué

Supports intermédiaires : acier laminé à chaud, plaqué au zinc 11 ga.

Ensemble manchon Sayflink : alliage d'acier

Mailons d'attache : acier galvanisé, résistance à la traction minimale 5 000 lb (22 kN).

Cosses : Acier galvanisé

Tendeur : acier galvanisé, résistance à la traction minimale de 5 000 lb (22 kN).

Serre-câbles : acier galvanisé

**8.2 PERFORMANCES DE L'ABSORBEUR D'ÉNERGIE :**

Charge de résistance dynamique maximale : 2 500 lb (11 kN)

Charge de résistance dynamique moyenne : 2 000 lb (9 kN)

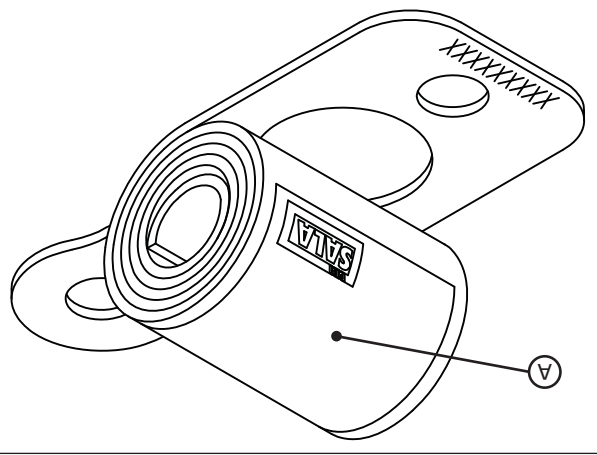
Résistance maximale : 48,5 po (116 cm)

Résistance à la traction minimale : 5 000 lb (22 kN)

Brevets en instance

**9.0 ÉTIQUETAGE**

**9.1** Les étiquettes suivantes doivent être présentes et entièrement lisibles :



**AWARNING**

THIS HORIZONTAL LIFE LINE ENERGY ABSORBER (EAKU) MUST ONLY BE USED AS PART OF A DBI/SALA HORIZONTAL LIFE LINE SUBSYSTEM (HLSS), OR AS PART OF A COMPLETE PERSONAL FALL ARREST SYSTEM (PFAS) INCORPORATING A HLSS WHICH MAINTAINS A SAFETY FACTOR OF AT LEAST TWO. DESIGNED, INSTALLED AND USED UNDER THE SUPERVISION OF A QUALIFIED PERSON, REFERENCE OSHA REGULATIONS. DO NOT USE AS A PERSONAL ENERGY ABSORBER. MANUFACTURER'S INSTRUCTIONS SUPERSEDE THIS INFORMATION. FAILURE TO DO SO COULD RESULT IN SERIOUS INJURY OR DEATH.

**ZORBIT™**  
FOR HORIZONTAL LIFE LINE SYSTEMS  
ENERGY ABSORBER

SPECIFICATIONS: MATERIAL - STAINLESS STEEL - PEAK DYNAMIC PULLOUT LOAD - 2500 LBS - AVERAGE DYNAMIC PULLOUT LOAD - 2000 LBS - MAXIMUM PULLOUT - 48.5 INCHES - ULTIMATE STRENGTH - 5000 LBS - MODEL - 7401013 PATENT PENDING

www.capitalsafety.com  
Capital Safety  
Red Wing, MN, USA  
+1-800-328-6146



7401014 Rev. 9

(A)

**IMPORTANT** : manipulé toujours avec précaution un absorbeur d'énergie Zorbite tendu. Le bris de matériel d'un absorbeur d'énergie peut former des rebords extrêmement tranchants.

**1. SAUVEPAGE** : avec le nombre de scénarios possibles lors du sauvetage d'un ouvrier, il peut être utile d'avoir une équipe de sauvetage sur place. L'équipe de sauvetage doit avoir les outils, autant en équipement qu'en techniques, pour réussir le sauvetage. La formation devrait être fournie sur une base périodique afin d'assurer l'efficacité des sauveteurs.

**4.3 DÉASSEMBLAGE DU SYSTÈME** : le système de ligne de vie horizontale doit être retiré du chantier lorsqu'il n'est plus utile. Pour relâcher la ligne de vie horizontale, desserrez le tendeur jusqu'à ce qu'il n'y ait plus de tension dans le câble métallique. Décrochez le système de ligne de vie horizontale des ancrages. Assurez-vous qu'il n'y a pas de nœuds ou de plis dans le câble métallique avant de l'entreposer.

## 5.0 FORMATION

**5.1** Tous les utilisateurs de cet équipement sont tenus de comprendre les instructions et de suivre une formation pour installer, utiliser et entretenir correctement cet équipement. Les utilisateurs doivent avoir été sensibilisés sur les conséquences d'une mauvaise installation de cet équipement. Ce guide d'utilisation ne peut se substituer à un programme de formation complet. Cette formation doit être menée à intervalles réguliers afin de garantir la compétence des utilisateurs.

## 6.0 INSPECTION

**6.1 AVANT CHAQUE INSTALLATION** : inspectez les absorbeurs d'énergie pour ligne de vie horizontale Zorbite, les composants et de la troussée et les autres composants du système, conformément à ces instructions et aux autres instructions du fabricant. Les éléments du système doivent être formellement inspectés par une personne compétente (autre que l'utilisateur). Les inspections formelles doivent être centrées sur les signes visibles de détérioration ou de dommages aux éléments du système. Les éléments défectueux doivent être remplacés. Si une inspection révèle un état non sécuritaire ou douteux, n'utilisez pas cet équipement. Enregistrez les résultats de toutes les inspections formelles dans la section 11.0 du journal d'inspection et d'entretien de ce manuel.

**6.2 SYSTÈMES INSTALLÉS** : une inspection du système de ligne de vie horizontale doit être menée par une personne compétente après l'installation du système. Le système doit être inspecté périodiquement par une personne compétente lorsqu'on le laisse installé pour une période prolongée. Des inspections périodiques devraient être faites au moins chaque mois ou plus fréquemment lorsque les conditions et l'utilisation du site les justifient. Les inspections des systèmes installés doivent comprendre les étapes d'inspection de la section 6.4.

**6.3 Une fois par an** : une personne qualifiée doit inspecter l'ensemble du système, y compris les points d'ancrage. Inspectez en vue de déceler toute détérioration ou tout dommage. Les éléments défectueux doivent être remplacés. Si une inspection révèle un état non sécuritaire ou douteux, n'utilisez pas cet équipement. Consignez les résultats de chaque inspection dans le journal d'inspection et d'entretien de la section 11.0 de ce manuel.

## 6.4 AVANT L'UTILISATION DU SYSTÈME :

**Étape 1.** Vérifiez si le tendeur est endommagé. Assurez-vous que quatre fils sont visibles dans le corps du tendeur. Identifiez toute fissure ou déformation du métal. Vérifiez si les composants métalliques sont rouillés ou corrodés car cela pourrait nuire à leur solidité ou à leur fonctionnement.

**Étape 2.** Vérifiez si le câble métallique est rouillé, corrodé, brisé ou tout autrement défectueux à l'œil nu. Vérifiez si la ligne de vie horizontale a une tension appropriée. Vérifiez tout le matériel (dispositifs de fixation, maillons d'attache, serre-câbles pour câbles métalliques, etc.) en fixant l'ensemble de la ligne de vie horizontale pour s'assurer qu'il ne manque aucun accessoire et qu'ils sont bien installés.

**Étape 3.** Vérifiez si le manchon Sayflink n'est pas excessivement usé, endommagé ou corrodé.

**Étape 4.** Vérifiez si l'absorbeur d'énergie pour ligne de vie horizontale Zorbite ne présente aucune extension ou déformation. Le système ne doit présenter aucun bris de métal entre les trous de la section extensible du système Zorbite. Augmentez la fréquence des inspections si le système Zorbite est exposé à une vibration prolongée. Retirez et détruisez les absorbeurs d'énergie pour lignes de vie horizontales Zorbite étirés, ou marquez-les pour qu'ils soient utilisés uniquement dans le cadre d'un programme de formation. Vérifiez la résistance et le bon fonctionnement du matériel de fixation.

**Étape 5.** Vérifiez si les supports intermédiaires sont usés ou endommagés. Vérifiez les supports et assurez-vous qu'ils sont solidement attachés. Assurez-vous que tous les manchons Sayflink installés passent sans encombre dans les supports intermédiaires lors de déplacements le long du système pendant une utilisation normale.

**Étape 6.** Vérifiez les étiquettes du système. Les étiquettes doivent être présentes et entièrement lisibles. Voir Section 9.0. Remplacez les étiquettes illisibles ou manquantes.



**AVERTISSEMENT** : consultez votre médecin en cas de doute quant à votre capacité physique à amortir le choc d'arrêt de chute. L'âge et le niveau de forme physique peuvent affecter votre capacité à endurer les forces d'arrêt de chute. Les femmes enceintes et les mineurs ne doivent pas utiliser la ligne de vie horizontale métallique à longueur réglable Sayfline.

- 4.1 AVANT CHAQUE UTILISATION**, veuillez inspecter cet équipement selon les étapes qui figurent à la section 6.4. Si une inspection révèle un état non sécuritaire ou douteux, n'utilisez pas cet équipement. Prévoyez d'utiliser un dispositif antichute avant d'exposer vos ouvriers à des conditions de travail dangereuses. Tenez compte de tous les facteurs pouvant affecter la sécurité avant l'utilisation de ce système.
- A.** Prenez connaissance de toutes les instructions émises par le fabricant au sujet de chaque composant du dispositif antichute. Tous les harnais de DBI/SALA ainsi que leurs sous-systèmes de connexion sont accompagnés de leurs propres instructions d'utilisation. Veuillez conserver ces instructions pour une utilisation ultérieure.
- B.** Réviser les sections 1.0 et 2.0 afin de vous assurer que toutes les limitations du système et autres prérequis ont été respectés. Réviser les renseignements applicables au sujet des critères de dégagement du système, et assurez-vous qu'aucun changement n'a été apporté à l'installation du système (c.-à-d. la longueur) ou autre changement sur le chantier de travail, qui pourrait affecter la distance d'arrêt nécessaire. N'utilisez pas le système si des changements sont nécessaires.
- 4.2 UTILISATION DU SYSTÈME :**
- A. COMPOSANTS DU DISPOSITIF ANTICHUTE PERSONNEL** : veuillez inspecter et revêtir le harnais de sécurité complet selon les instructions du fabricant. Fixez le sous-système de connexion (longe absorbeuse d'énergie ou ligne de vie auto-rétractable) à la connexion dorsale du harnais. Si une ligne de vie auto-rétractable (SRL) est utilisée, DBI/SALA recommande l'utilisation d'une SRL de 20 pi (6 m) ou plus courte. Le manchon Sayflink peut se coincer sur les supports intermédiaires avec des SRL plus longues et plus lourdes, créant une extension de la ligne de vie, et pouvant entraîner un effet pendulaire inopiné.

**AVERTISSEMENT** : si le manchon Sayflink se coince sur un support intermédiaire, la SRL peut s'étendre pendant que l'ouvrier se déplace le long de la ligne de vie horizontale. Cela augmentera la distance de chute et créera un danger de chute avec effet pendulaire pouvant entraîner des blessures graves ou la mort.

- B. CONNEXION À LA LIGNE DE VIE HORIZONTALE** : rendez-vous à l'emplacement de travail en utilisant l'équipement approprié pour y accéder. Attachez le dispositif antichute personnel à un D d'accrochage sur le manchon Sayflink sur la ligne de vie horizontale. Les connecteurs doivent répondre à toutes les exigences de compatibilité et de résistance.
- C. DÉPLACEMENT AVEC LE SYSTÈME** : une fois attaché au système Sayfline, le manchon Sayfline suivra l'utilisateur le long de la ligne de vie et passera automatiquement au-dessus de chaque support intermédiaire.

**AVERTISSEMENT** : les déplacements le long du système Sayfline doivent être effectués manuellement par l'utilisateur du système. Ne laissez pas des wagons en déplacement (tels que des wagons) déplacer l'utilisateur le long du système Sayfline. Cela pourrait entraîner des blessures graves ou la mort.

- D. SITUATIONS DANGEREUSES** : ne prenez pas de risques inutiles, tels que sauter ou s'étrier trop loin du bord de la surface de travail. Ne laissez pas le sous-système de connexion vous passer sous les bras ou entre les pieds. Afin d'éviter une distance d'arrêt inadéquate, ne grimpez pas au-dessus de la ligne de vie horizontale. Pour éviter tout risque de chute avec effet pendulaire, ne travaillez pas trop loin de chaque côté de la ligne de vie horizontale.
- E. DEUX PERSONNES FIXÉES À LA LIGNE DE VIE HORIZONTALE** : lorsqu'une personne tombe alors qu'elle est fixée à la ligne de vie horizontale, cela fait fléchir le système. Si deux personnes sont fixées à la même ligne de vie horizontale et qu'une personne tombe, la deuxième personne peut être tirée hors de la surface de travail à cause de la flexion. Le risque de chute pour la deuxième personne augmente avec la portée de la ligne de vie horizontale. L'utilisation de systèmes de ligne de vie horizontale indépendants pour chaque personne, ou une longueur de portée plus courte est recommandée afin de minimiser le risque de chute de la deuxième personne.
- F. CHUTE LIBRE** : le dispositif antichute personnel doit être fixé à 6 pi (1,8 m) ou moins afin de limiter les chutes lorsque vous utilisez une longe absorbeuse d'énergie, ou de telle sorte que la ligne de vie auto-rétractable soit au-dessus de la tête sans relâchement, conformément aux exigences de l'OSHA.
- G. ARRÊTES TRANCHANTES** : évitez de travailler où le sous-système de connexion ou d'autres composants du système seront en contact avec ou s'usent contre des rebords tranchants non protégés. Si vous devez utiliser cet équipement près d'arêtes tranchantes, prévoyez une protection comme un coussin épais ou d'autres moyens placés sur l'arête tranchante exposée.
- H. EN CAS DE CHUTE** : la personne responsable doit avoir un plan de sauvetage et la capacité de le mettre en œuvre. Comme le temps de suspension acceptable dans le harnais de sécurité complet est limité, le sauvetage doit se faire au plus vite.

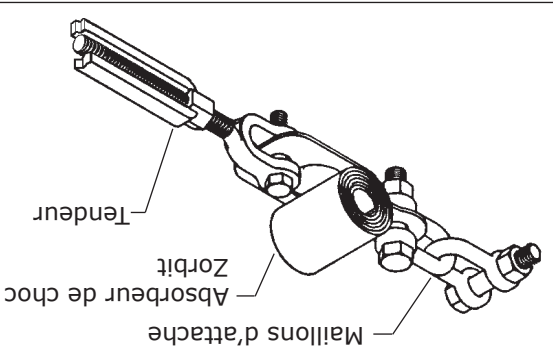
**Etape 4.** Si des supports intermédiaires supplémentaires ont été achetés, faites glisser tous les guide-câbles des supports sur le câble avant d'installer celui-ci.

**Etape 5.** Les supports intermédiaires sont composés de trois parties : deux plaques latérales et un guide-câble. Chacune des plaques est estampillée de la lettre « A » ou « B ». Voir Figure 10. Pour assembler un support, commencez par placer un guide-câble sur la pièce A selon un angle approprié déterminé dans l'Etape 2. Ensuite, faites glisser la pièce B sur la pièce B dans la même angle et embotez la pièce B dans la pièce A. Placez le support ainsi assemblé sur son point d'ancrage désigné et ancrez-le en plaçant le boulon d'utilisateur fourni à travers la rondelle plate et ensuite à travers les trous superposés dans le support et dans le point d'ancrage. Le boulon peut être installé à travers l'ancrage et dans le support si vous le préférez, mais la rondelle doit rester à l'intérieur du support, entre celui-ci et la tête de boulon ou d'écrou. Serrez le matériel d'ancrage au couple de 55 pi/lb (75 Nm).

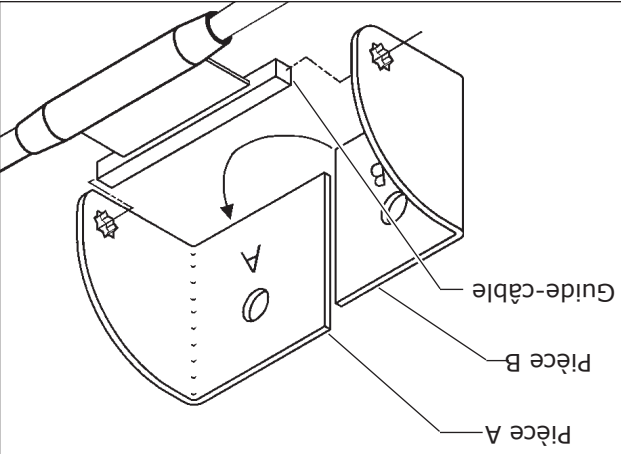
**Etape 6.** Avant de raccorder la deuxième extrémité de la ligne de vie horizontale, desserrez le tendeur à l'autre extrémité afin que seulement 4 fils soient visible à l'intérieur du corps du tendeur. Cela permettra avoir la deuxième extrémité. Installez tous les manchons Sayflink sur le câble avant de raccorder la deuxième extrémité.

**Etape 7.** Pour raccorder la deuxième extrémité du câble à son ancrage, attachez les maillons d'attache sur l'ancrage et le Zorbite tel que décrit dans l'Etape 3. Ensuite, attachez la cosse et le matériel de connexion au Zorbite. Voir Figure 11. Faites glisser la ligne de vie à travers la cosse. Éliminez le jeu excédentaire en tirant le câble métallique à travers la cosse et le serre-câble. Maintenez la tension en serrant l'écrou du serre-câble et l'écrou de la cosse au couple de valeurs précisées dans la Figure 11. Serrez le câble métallique en tournant le tendeur à l'autre extrémité de l'installation. Empêchez la mâchoire non attachée du tendeur afin d'éviter de tordre le câble métallique. Le câble métallique doit être tendu jusqu'à ce que la flèche sur le système à mi-portée, entre les supports intermédiaires, soit à 2 pouces (5 cm) ou moins, sans poids exercé sur le câble.

**Figure 9 - Raccord de câble**

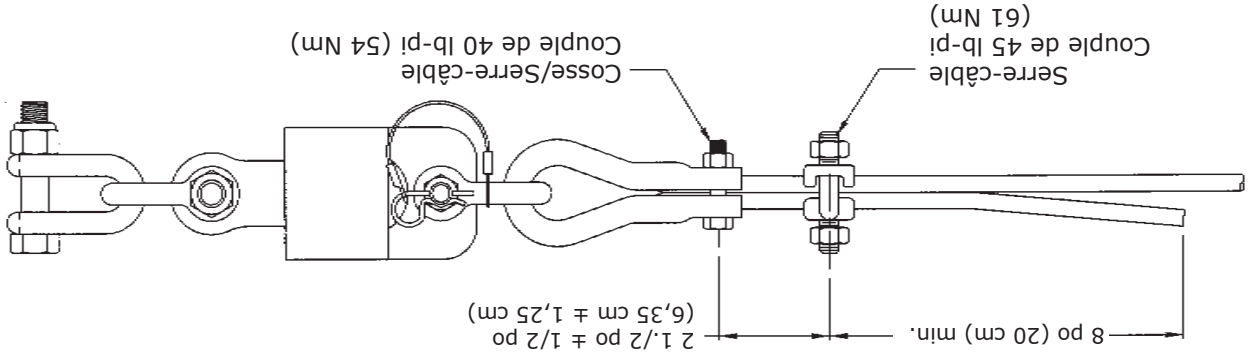


**Figure 10 - Ensemble support**

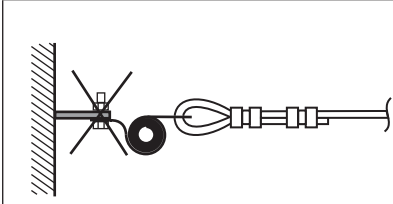


**Figure 11 - Raccord de l'extrémité à la cosse/au serre-câble**

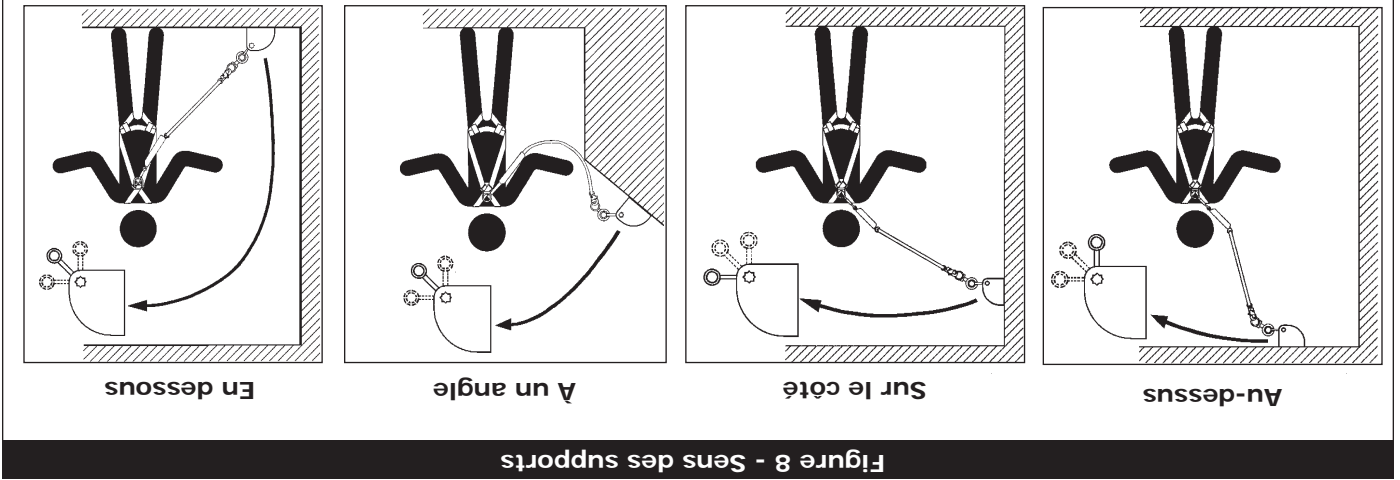
Raccord de l'extrémité de la ligne de vie horizontale métallique Sayflink



**MISE EN GARDE :** ne fixez pas le système Zorbite de manière rigide à la structure ou à un poteau métallique. Cela pourrait entraîner une défaillance en raison d'une courbure. Fixez le système Zorbite de telle sorte que celui-ci puisse pivoter et se déplacer librement, comme il est indiqué à dans les Figures 9 et 11.



**Etape 3.** Pour attacher un câble au premier point d'ancrage, connectez une paire de maillons d'attache entre eux, puis, connectez un côté des maillons connectés à l'ancrage à l'aide de l'érou et du boulon fournis. Connectez l'autre côté des maillons d'attache au Zorbit connecté au tendeur. Voir Figure 9. La ligne de vie horizontale peut être directement rattachée en toute sécurité à l'ancrage si celui-ci comprend un élément de fixation qui répond aux exigences spécifiées dans la section 2.4. L'utilisateur doit fournir le matériel d'ancrage. Serrez les boulons et les écrous utilisés pour connecter le système aux connecteurs d'ancrage. Faites glisser le(s) manchon(s) Sayflink sur la ligne de vie avant de raccorder l'autre extrémité du câble à l'ancrage.



Remarque : Une distance maximale de chute libre de 6 pi (1,80 m) doit être maintenue dans toutes les positions du support ; un système avec supports montés en dessous de l'utilisateur ne doit être utilisé que dans des applications de dispositif de sécurité antichute.

**Etape 2.** Déterminez le bon sens des supports intermédiaires. En fonction du positionnement du câble, les supports intermédiaires peuvent être installés dans un des trois sens. Voir Figure 8 pour les sens des supports.

**Figure 7 - Exigences en matière de dégagement de la ligne de vie auto-rétractable**

AVERTISSEMENT : ces renseignements s'appliquent seulement lorsque la ligne de vie horizontale et la ligne de vie auto-rétractable sont situées au-dessus du niveau du point de fixation du harnais, et que l'utilisateur est debout.

**Tableau des hauteurs de dégagement**  
Lignes de vie auto-rétractables DBI-SALA

Plus longue portée : pi (m)	pi (m)	Distance requise : pi (m)
> 0 (0) mais ≤ 10	6 pi-11 po (2,1)	6 pi-11 po (2,1)
10 (3) - 20 (6)	8 pi-0 po (2,4)	8 pi-0 po (2,4)
20 (6) - 30 (90)	9 pi-1 po (2,8)	9 pi-1 po (2,8)

< Plus que  
≤ Moins que ou égal à

5. Consultez les hauteurs de dégagement des hauteurs de dégagement requises présentées dans la colonne des hauteurs afin de déterminer s'il existe une hauteur de dégagement adéquate en cas de chute. Si la hauteur de dégagement est inadéquate, ajoutez des supports intermédiaires pour réduire la longueur de la portée et réévaluez votre hauteur de dégagement requise.

Exemple : la portée est de 16 pi (5 m), la hauteur de dégagement requise est 8 pi (2,5 m).

4. Trouvez la plus longue portée de votre système dans les rangées du Tableau rétractable (SRL).

3. Considérez les hauteurs de dégagement requises présentées dans la colonne des hauteurs afin de déterminer s'il existe une hauteur de dégagement adéquate en cas de chute. Si la hauteur de dégagement est inadéquate, ajoutez des supports intermédiaires pour réduire la longueur de la portée et réévaluez votre hauteur de dégagement requise.

2. Déterminez le bon sens des supports intermédiaires. En fonction du positionnement du câble, les supports intermédiaires peuvent être installés dans un des trois sens. Voir Figure 8 pour les sens des supports.

1. Déterminez le point de fixation de votre système de ligne de vie auto-rétractable (SRL) et le point de fixation de votre harnais. La ligne de vie auto-rétractable doit être installée au-dessus du point de fixation de votre harnais.

Hauteur de dégagement requise à partir du niveau inférieur ou de l'obstacle le plus près jusqu'au niveau de travail :

Longueur de la portée

Niveau de travail

Niveau inférieur ou obstacle

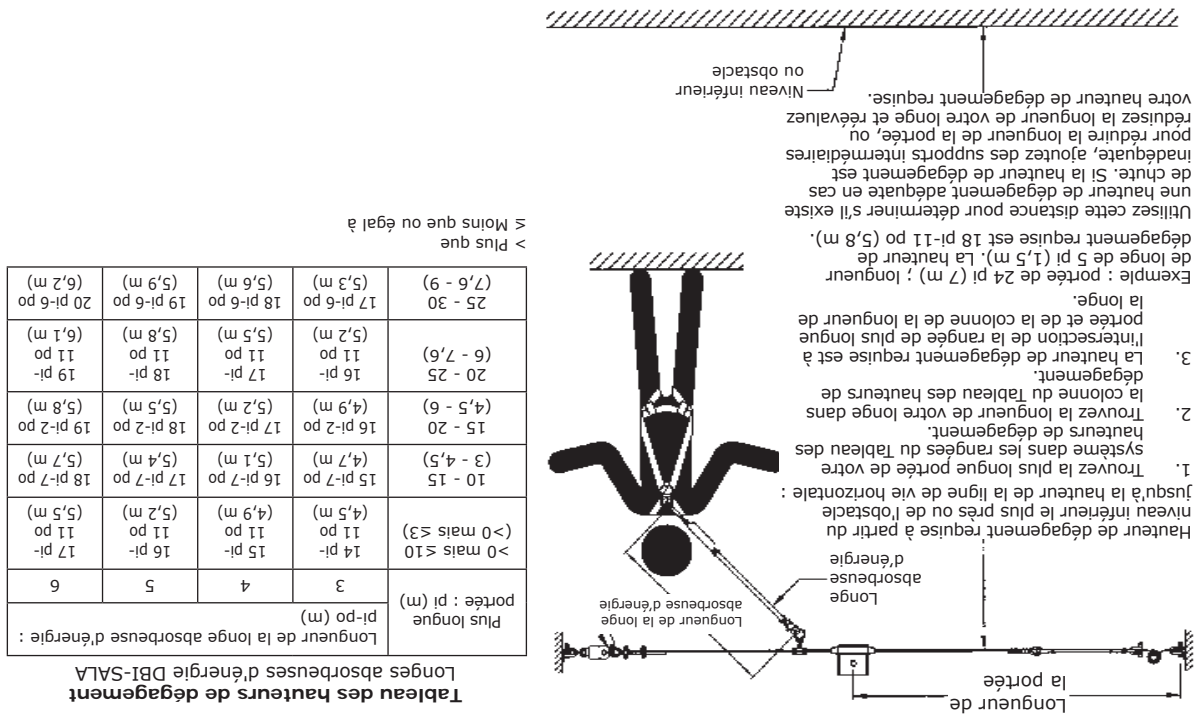
Le processus d'installation consiste des étapes suivantes :

1. Déterminez l'emplacement des points d'ancrage et des supports intermédiaires.
2. Déterminez l'orientation des supports intermédiaires.
3. Attachez une extrémité à son point d'ancrage.
4. Installez les guides-câbles et les manchons Sayflink sur le câble.
5. Assemblez les supports intermédiaires sur leurs points d'ancrage.
6. Dénouez le(s) tendeur(s).
7. Attachez l'autre extrémité du câble à son point d'ancrage et tendez le câble.

Les étapes sont décrites en détails ci-dessous :

**Étape 1.** Déterminez les endroits où seront situés les points d'ancrage et évaluez leurs forces respectives selon la section 2.4. Déterminez le nombre de supports intermédiaires nécessaires pour vos applications. Il doit y avoir un support intermédiaire tous les 30 pi (9 m) de câble pour les systèmes dont la longueur est supérieure à 30 pi (9 m). Des supports intermédiaires supplémentaires (Pièce n° 7608001) peuvent être achetés auprès de DBI/SALA. Déterminez la longueur de la portée et évaluez la hauteur de dégagement requise à l'aide des Figures 6 ou 7. Les Figures 6 et 7 s'appliquent à un ou deux utilisateurs fixés au système.

**Figure 6 - Exigences en matière de dégagement de la longe absorbuse d'énergie**



La Figure 1 montre une installation typique de ligne de vie horizontale. Lorsque vous utilisez une longe absorbant l'énergie pour vous connecter au système, les ancres doivent être situés à une hauteur qui limitera la chute libre à 1,8 m (6 pi). La longueur de la longe doit être prise en considération lorsque vous déterminez la hauteur des ancres. Lorsque vous utilisez ligne de vie auto-rétractable (SRL) pour vous connecter au système, les points d'ancrages doivent être situés directement au-dessus de l'utilisateur. La ligne de vie auto-rétractable, une fois rétractée entièrement, doit se trouver au-dessus du point de fixation du harnais. La ligne de vie horizontale doit être dans une position qui minimise le danger de chute tout en étant dans un endroit facilitant l'utilisation. La ligne de vie horizontale doit être positionnée près du lieu de travail afin de minimiser les dangers de chute avec effet pendulaire. La longueur du sous-système de connexion doit être gardée la plus courte possible afin de réduire le risque de chute libre et la hauteur de dégagement nécessaire. Les deux ancres doivent être installés à une hauteur approximativement semblable afin que le degré d'inclinaison de la ligne de vie ne dépasse pas un rapport de déclivité de 1:12 (1 po [3 cm] d'élévation au-dessus d'une longueur de 12 po [30 cm]). Le câble doit être une ligne droite, aucune courbe ou tournant ne sont admis lors de l'installation d'une ligne de vie à portée multiple Sayflin.

### 3.3 INSTALLATION DU SYSTÈME :

**AVERTISSEMENT :** Veuillez ne pas modifier cet équipement ni en faire sciemment un usage abusif. Utilisez cet équipement avec précaution à proximité de machines en mouvement, de sources d'électricité, de substances chimiques et d'objets tranchants.

Un moyen de protection antichute séparé doit être utilisé lors de l'installation du système Sayflin. Un moyen de protection antichute séparé doit être utilisé lors de l'inspection ou de l'entretien du système Sayflin suite à une chute. DBI/SALA recommande l'utilisation et le port de protection oculaire agréée, de chaussures de sécurité et de gants lors de l'installation de la ligne de vie horizontale.

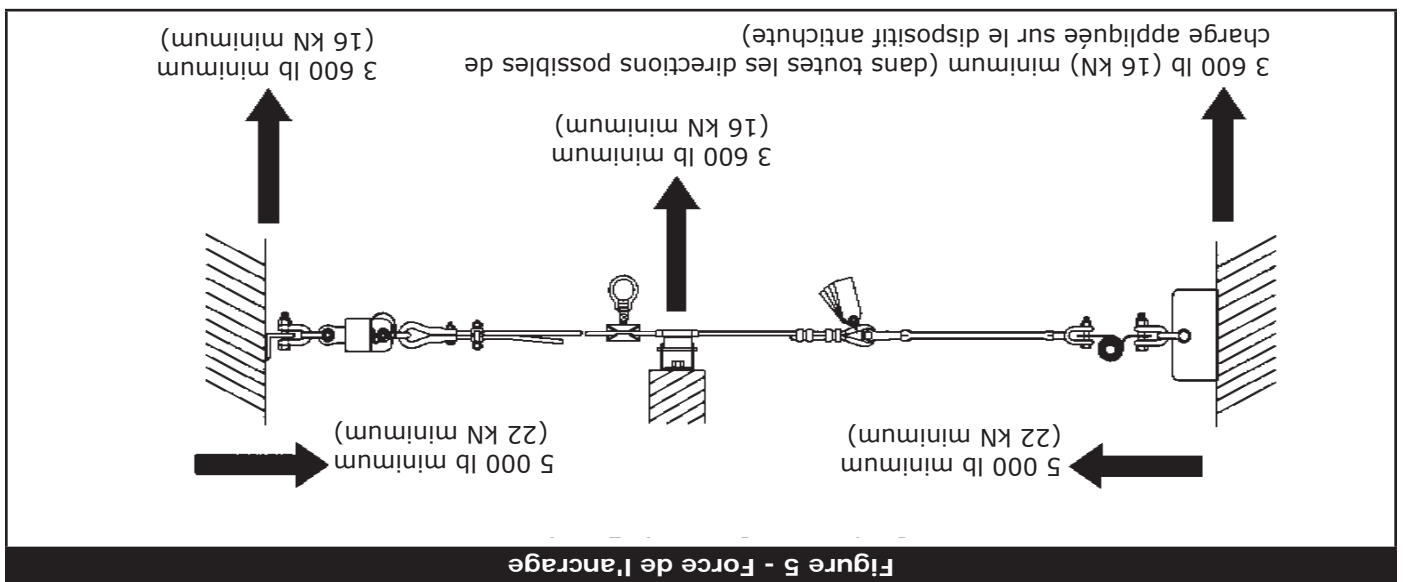
### 3.2 Sécurité

**AVERTISSEMENT :** L'utilisation de pièces endommagées ou défectueuses entravera le fonctionnement du système Sayflin, causant éventuellement des blessures graves ou la mort en cas de chute.

### 3.1 Inspection

Lors de la réception de votre ligne de vie horizontale Sayflin, inspectez tous les composants et l'équipement de l'utilisateur à la recherche de défauts et/ou de dommages. Si des composants Sayflin ou l'équipement DBI/SALA sont endommagés, défectueux ou manquants, communiquez immédiatement avec DBI/SALA pour obtenir un remplacement. N'utilisez pas des pièces endommagées ou défectueuses dans une installation de ligne de vie horizontale.

## 3.0 INSTALLATION



**2.6 SOUS-SYSTÈME DE CONNEXION** : le sous-système de connexion est la partie du dispositif antichûte personnel utilisée pour faire la connexion entre le sous-système de la ligne de vie horizontale et l'élément de fixation du harnais antichûte. Le sous-système de connexion doit limiter les forces appliquées à la ligne de vie horizontale à 900 livres (4 kN) ou moins.

**AVERTISSEMENT** : les ancrages doivent être rigides. De grandes déformations de l'ancrage affecteront le rendement du système et pourraient faire augmenter la distance d'arrêt requise sous le système, ce qui pourrait entraîner de graves blessures, voire la mort.

**2.5 CHARGE SUR LA STRUCTURE** : les points d'ancrage de la structure doivent être rigides, tout en ayant la capacité de supporter une charge d'au moins 5 000 livres (22 kN) le long de l'axe de la ligne de vie horizontale. Les ancrages, y compris les supports intermédiaires, doivent également pouvoir supporter un minimum de 3 600 livres (16 N) appliqué dans toutes les directions potentielles du dispositif antichûte perpendiculaires à l'axe de la ligne de vie horizontale. Voir Figure 5.

Une rondelle plate, une rondelle de blocage et un écrou sont également nécessaires. Un écrou de blocage peut être utilisé à la place de la rondelle de blocage et de l'écrou simple.

Les supports intermédiaires nécessitent un boulon UNC 1/2-13 répondant à une force de classe 5 minimum. Cette connexion doit être positive, et, avec les éléments de connexion, doit être capable de supporter une charge de 5 000 lb (22,2 kN) sans céder sous cette charge.

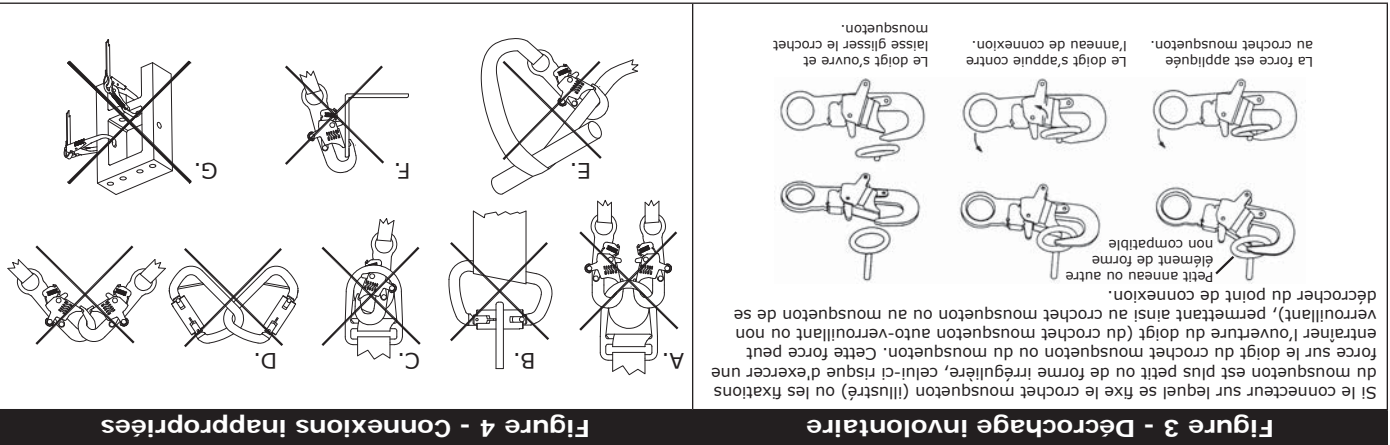
**2.4 CONNECTEURS D'ANCRAGE** : DBI/SALA ne fournit pas d'attaches d'ancrage. Les connecteurs utilisés pour fixer la ligne de vie horizontale aux points d'ancrage doivent être compatibles avec le point de connexion. De manière ne permettant pas au connecteur de s'aligner correctement pendant qu'il est sous tension. G. De manière ne permettant pas au connecteur de s'aligner correctement pendant qu'il est sous tension. F. A un objet qui aurait une forme ou dimension de sorte que le crochet mousqueton ou le mousqueton ne puisse pas se fermer et se verrouiller ou qu'un dégagement puisse se produire. E. Directement à la sangle ou à la longe ou au tirant d'ancrage (à moins que les instructions du fabricant de la longe et du connecteur n'autorisent une connexion de ce type). D. Entre eux. C. Dans un faux raccord où des éléments rattachés au crochet mousqueton ou au mousqueton s'accrochent dans l'ancrage et, sans une confirmation visuelle, semblent complètement attachés au point d'ancrage.

**REMARQUE** : les crochets mousquetons à ouverture large ne doivent pas être connectés à des ouvertures larges conçus pour être utilisés sur des éléments structuraux fixes, tels que des barres d'armature ou des traverses dont les formes ne peuvent pas accrocher le doigt du crochet.

A. À un D d'accrochage auquel est fixé un autre connecteur.  
 B. De façon à exercer une charge sur le doigt.

**2.3 CONNEXIONS** : utilisez uniquement des crochets mousquetons à verrouillage automatique et des mousquetons avec cet équipement. Utilisez uniquement des connecteurs adaptés à chaque usage. Assurez-vous que tous les connecteurs sont compatibles en taille, forme et résistance. N'utilisez aucun équipement non compatible. Assurez-vous que tous les connecteurs sont complètement fermés et verrouillés. Les connecteurs DBI-SALA (crochets mousquetons et mousquetons) sont conçus pour être utilisés uniquement selon les instructions de chacun des produits. Voir la Figure 4 pour les connexions inappropriées. Les crochets mousquetons et les mousquetons DBI-SALA ne doivent pas être connectés :

Les connecteurs (crochets, mousquetons et D d'accrochage) doivent pouvoir supporter une charge minimale de 5 000 lb (22 kN). Les connecteurs doivent être compatibles avec le système d'ancrage et toute autre pièce du système. N'utilisez aucun équipement non compatible. Les connecteurs incompatibles risquent à tout moment de lâcher. Voir Figure 3. Les connecteurs doivent être compatibles par leur taille, leur forme et leur résistance. Des crochets mousquetons à verrouillage automatique et des mousquetons sont requis par la norme ANSI Z359.1 et OSHA.

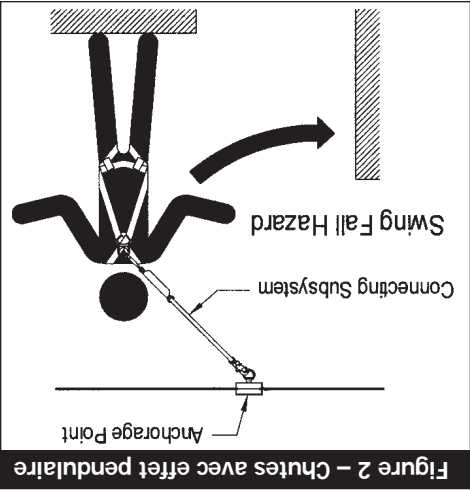


- A. PORTÉE DE LIGNE DE VIE HORIZONTALE** : la longueur maximale de l'étendue de la ligne de vie horizontale est de 180 pi (55 m) avec un absorbateur d'énergie Zorb! installé à chaque extrémité du dispositif. Voir Figure 1. Les systèmes mesurant plus de 30 pi (9 m) doivent comprendre un support intermédiaire pour chaque portée de 30 pi (9 m). La distance doit être réduite lorsque la hauteur de dégagement est limitée. Consultez la section 3.3 pour obtenir des renseignements sur les hauteurs de dégagement requises.
- B. ANCRAGES** : la ligne de vie horizontale Sayfline doit être installée sur des ancrages conformes aux prérequis spécifiés dans la section 2.5.
- C. CAPACITÉ DU SYSTÈME** : la capacité maximale de la ligne de vie horizontale Sayfline est de deux personnes. Le poids maximal de chaque personne, outils et vêtements compris, ne doit pas excéder 310 lb (141 kg).
- D. SOUS-SYSTÈME DE CONNEXION** : le sous-système de connexion de chaque personne doit limiter les forces d'arrêt d'une chute à 900 lb (4kN) ou moins. Voir la section 2.6.
- E. CHUTE LIBRE** : installez et utilisez le dispositif antichute personnel de manière à ce que la chute libre potentielle maximale n'exécède pas la réglementation gouvernementale ainsi que les exigences du fabricant du sous-système. Le dispositif antichute personnel doit être attaché de manière à limiter les chutes libres à 6 pi (1,8 m) ou moins lorsque vous utilisez une longe absorbant l'énergie ou de sorte que la SRL soit au-dessus sans jeu, selon les exigences de l'OSHA. Consultez la section 3.0 ainsi que les instructions du fabricant du sous-système pour de plus amples renseignements.
- F. EFFETS PENDULAIRES** : Voir Figure 2. Les effets pendulaires se produisent lorsque le point d'ancrage ne se trouve pas directement au-dessus de la tête. En cas de chute avec effet pendulaire, la force du choc contre un objet risque d'entraîner des blessures graves voire mortelles. Vous pouvez réduire les chutes avec effet pendulaire en travaillant aussi près que possible de l'ancrage. Ne vous exposez pas à une situation d'effet pendulaire s'il y a un risque de blessure. Les effets pendulaires requièrent une plus grande distance d'arrêt lors de l'utilisation d'une ligne de vie auto-rétractable ou de tout autre sous-système de connexion à longueurs variables. S'il y a une possibilité d'effet pendulaire dans le cadre de votre utilisation, communiquez avec DBI/SALA avant de procéder.
- G. DISTANCE D'ARRÊT** : la hauteur de dégagement sous l'ouverture doit être suffisante pour arrêter la chute avant qu'il n'entre en contact avec le niveau plus bas ou tout autre obstacle. Voir la section 3.3 pour les renseignements sur les hauteurs de dégagement requises.
- H. HARNAIS DE MAINTIEN** : les lignes de vie horizontales métalliques à longueur réglable Sayfline ne doivent être utilisées qu'avec des dispositifs antichute comprenant un harnais de sécurité complet.
- I. DANGERS PHYSIQUES ET LIÉS À L'ENVIRONNEMENT** : l'utilisation de cet équipement dans des zones de dangers environnementaux ou physiques peut exiger de prendre des précautions supplémentaires afin d'éviter que l'utilisateur ne se blesse ou que l'équipement ne subisse des dommages. Ces dangers peuvent comprendre, mais ne sont pas limités à, la chaleur, les produits chimiques, les environnements corrosifs, les lignes électriques à haute tension, les machines mobiles, ainsi que les rebords tranchants. Veuillez communiquer avec DBI/SALA pour toute question relative à l'utilisation de cet équipement dans des endroits présentant des risques environnementaux ou physiques.
- J. FORMATION** : cet équipement doit être installé et utilisé par des personnes formées pour son application et son utilisation appropriées. Consultez la section 5.0

- 1.3 NORMES APPLICABLES** : pour de plus amples renseignements sur le dispositif antichute personnel et ses composants, consultez les normes nationales, y compris la norme ANSI Z359.1-1992 et les exigences locales, fédérales et d'état (OSHA 1910.66 et 1926.502) en vigueur.

## 2.0 EXIGENCES DU SYSTÈME

- 2.1 COMPOSANTS DU DISPOSITIF ANTICHUTE PERSONNEL** : la ligne de vie horizontale Sayfline doit être utilisée avec des composants et des sous-systèmes approuvés par DBI/SALA. Des composants non approuvés pourraient être incompatibles avec le système et affecter la sécurité et la fiabilité de l'ensemble du système. Les composants utilisés avec ce dispositif antichute personnel doivent se conformer à toutes les exigences applicables des normes OSHA et ANSI. Seul un harnais de sécurité complet doit être utilisé avec ce système. Le sous-système de connexion entre le harnais et la ligne de vie horizontale doit limiter les forces d'arrêt de chute à 900 lb (4 kN) ou moins.
- 2.2 COMPATIBILITÉ DES CONNECTEURS** : les connecteurs sont considérés comme compatibles avec d'autres éléments de connexion lorsqu'ils ont été conçus pour être utilisés ensemble et de manière à ce que leur taille et leur forme ne provoquent pas l'ouverture accidentelle du doigt quelle que soit leur orientation. Communiquez avec DBI/SALA pour toute question sur la compatibilité.



- F. EFFETS PENDULAIRES** : Voir Figure 2. Les effets pendulaires se produisent lorsque le point d'ancrage

**IMPORTANT:** L'employeur doit s'assurer que chaque ligne de vie horizontale est conçue, installée et utilisée sous la supervision d'une personne qualifiée; et fait partie d'un système antichute personnel complet qui maintient un facteur de sécurité d'au moins deux. Référence OSHA 1010.140 (c) (11). Voir aussi OSHA 1926.502 (d) (8).

**PERSONNE QUALIFIÉE:** Qualifiée désigne une personne qui, par la possession d'un diplôme reconnu, d'un certificat ou d'un statut professionnel, ou qui, par une connaissance approfondie, une formation et une expérience, a démontré sa capacité à résoudre des problèmes liés au sujet, le travail ou le projet. Référence OSHA 1910.140 (b). Voir aussi OSHA 1926.32 (m).

- 1.0 APPLICATION**
- 1.1 OBJECTIF :** la ligne de vie horizontale métallique à longueur réglable Sayflin® est conçue pour une utilisation à des fins d'ancrage de l'équipement de protection individuelle (EPI) antichute pour une ou deux personnes ou d'un dispositif de retenue antichute. Utilisez la ligne de vie horizontale Sayflin® là où une protection antichute et une mobilité horizontale sont requises. La ligne de vie horizontale Sayflin® ne doit pas être utilisée pour protéger contre la chute du matériel ou des équipements.
- 1.2 LIMITES :** les limites suivantes s'appliquent à l'installation et à l'usage de la ligne de vie horizontale métallique à longueur réglable Sayflin®. D'autres restrictions peuvent s'appliquer :

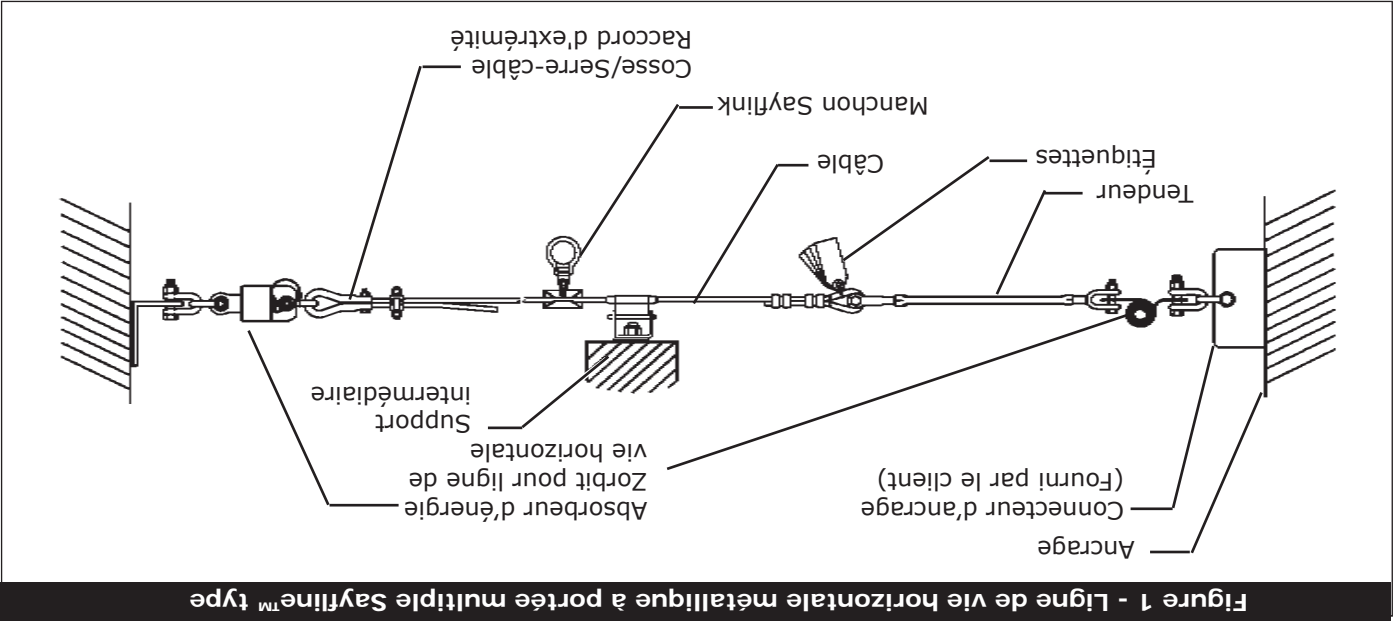


Figure 1 - Ligne de vie horizontale métallique à portée multiple Sayflin® type

**IMPORTANT :** pour toute question concernant l'utilisation, l'entretien ou la convenue de cet équipement pour votre usage, veuillez communiquer avec DBI/SALA.

**AVERTISSEMENT :** ce produit fait partie d'un dispositif antichute. L'utilisateur doit suivre les directives du fabricant pour chaque composant de ce système. Ces directives devront être fournies à l'utilisateur par le fabricant de l'équipement. Les utilisateurs doivent lire et comprendre ces instructions avant d'utiliser cet équipement. Les instructions du fabricant doivent être respectées afin de garantir la bonne utilisation et l'entretien du produit. La modification ou la négligence dans l'utilisation de cet équipement, ou le défaut de respecter les directives peut entraîner de graves blessures, voire la mort.

Ce manuel satisfait aux exigences des instructions du fabricant conformément aux normes applicables définies à la section 1.2 et doit être utilisé dans le cadre d'un programme de formation de l'employé conformément à la réglementation des organismes spécifiques.

**Manuel de l'utilisateur**  
**Ligne de vie horizontale métallique à portée multiple Sayflin®**

Fall Protection



Instructions pour les produits de séries suivants :  
**Ligne de vie horizontale métallique à portée multiple Sayflin®**  
 (Veuillez consulter le verso de la couverture pour les numéros des modèles.)