



INSTALLATION, OPERATION & MAINTENANCE INSTRUCTIONS

1455 Kleppe Lane ♦ Sparks, NV 89431-6467 ♦ (775) 359-4712 ♦ Fax (775) 359-7424
E-mail: haws@hawsco.com ♦ website: www.hawsco.com

No. 0002080058 (22)

Model 7500 Portable Eyewash

NOTE TO INSTALLER: Please leave this information with the Maintenance Department.

LIMITED WARRANTY

HAWS warrants that this specific product is guaranteed against defective material or poor workmanship for a period of **one year from date of shipment**. HAWS liability under this warranty shall be discharged by furnishing without charge F.O.B. HAWS Factory any goods, or part thereof, which shall appear to the Company upon inspection to be of defective material or not of first class workmanship, provided that claim is made in writing to Haws within a reasonable period after receipt of the product. Where claims for defects are made, the defective part or parts shall be delivered to the Company, prepaid, for inspection. HAWS will not be liable for the cost of repairs, alterations or replacements, or for any expense connected therewith made by the owner or his agents, except upon written authority from HAWS, Sparks, Nevada. HAWS will not be liable for any damages caused by defective materials or poor workmanship, except for replacements, as provided above. Buyer agrees that Haws has made no other warranties either expressed or implied in addition to those above stated, except that of title with respect to any of the products or equipment sold hereunder and that HAWS shall not be liable for general, special, or consequential damages claimed to arise under the contract of sale.

The emergency equipment manufactured by HAWS is warranted to function if installation and maintenance instructions provided are adhered to. The units also must be used for the purpose for which they were intended. This product is intended to supplement first-aid treatment. Due to widely varying conditions, Haws cannot guarantee that the use of this emergency equipment will prevent serious injury or the aggravation of existing or prior injuries.

NO OTHER WARRANTIES EXPRESSED OR IMPLIED ARE AUTHORIZED, PROVIDED OR GIVEN BY HAWS.

SHOULD YOU EXPERIENCE DIFFICULTY WITH THE INSTALLATION OF THIS MODEL PLEASE CALL:

TECHNICAL SUPPORT: 1-800-766-5612

FOR CUSTOMER SERVICE: 1-888-640-4297

RECOMMENDED TOOLS: Three 1/4" diameter anchors suitable for supporting filled eyewash (approximately 140 pounds) and tools needed to install these anchors.

LOCATION OF UNIT: The Model 7500 Portable Eyewash should be installed in close proximity to potential accident areas. It should be clearly identified, free from obstructions and easily accessible. May be wall or shelf mounted.

NOTE: Personal wash units shall be protected from freezing and shall not be exposed to ambient temperatures exceeding 38°C (100°F).

INSTALLATION INSTRUCTIONS

STEP 1: Mount unit to wall utilizing "J" bracket (supplied). Note: 1/4" mounting hardware not supplied. Unit can also be mounted on shelf. Make sure portable eyewash unit is level from front to back and left to right before securing bracket to wall. Eyewash nozzles should be between 33 inches (83.8 cm) and 45 inches (114.3 cm) above the floor when eyewash arm is in the active (lowered) position (See Installation Drawing Page 7 of 7).

IMPORTANT:

Filled eyewash unit is heavy (approximately 140 pounds). Wall bracket anchors, (Quantity-3, not supplied), or shelf must be strong enough to support the filled eyewash and the weight of a worker leaning on eyewash.

STEP 2: Install drain hose (supplied), if desired.

STEP 3: Fill up to fill line (make sure that no debris or contaminants of any kind are present in the flushing fluid). Make sure unit is level from front to back and left to right. If installed as indicated, eyewash unit will provide 15-minute duration of flow. Add Anti-microbial Preservative Haws Model 9082 as directed (see step 2 under Maintenance Section).

STEP 4: Take proper precautions to help prevent the growth of potentially harmful bacteria in eyewash tanks. (Refer to Maintenance Instructions).

OPERATING INSTRUCTIONS

Instruct all employees in the use of this Emergency Eyewash. Personnel should be assigned to check eyewash liquid level daily.

STEP 1: Lead patient to nearest eyewash station. Seconds can make the difference in preventing serious eye injury.

STEP 2: Pull yellow eyewash arm firmly. Eyewash arm will drop to activate eyewash.

STEP 3: Lower head until eyes enter eyewash stream. Use thumbs and forefingers to hold eyelids open. Flush for 15 minutes.

STEP 4: Seek qualified medical attention immediately.

MAINTENANCE INSTRUCTIONS

NOTE: Customer must provide an inspection tag and maintain a record of inspection dates and type of maintenance performed (i.e. adding Antimicrobial Preservative Haws Model 9082, etc.)

STEP 1: Self contained eyewash equipment shall be visually checked to determine if flushing fluid needs to be changed or supplemented. See STEP 3 for additional information regarding activated units.

Frequency of inspection: Depending on environmental conditions, visual inspections should be performed on either a daily, weekly or monthly basis as some water loss will occur due to natural evaporation process.

STEP 2: Take proper precautions to help prevent the growth of potentially harmful bacteria in eyewash tanks. Utilize **either** of the following procedures:

Procedure A: Use suitable Antimicrobial Preservative such as Haws Model 9082 to help prevent the growth of bacteria in eyewash tank. Eyewash tank should be drained, flushed and refilled with clean potable water and Antimicrobial Preservative Haws Model 9082 as directed by the preservative's manufacturer.

Procedure B: Drain, flush and refill portable units with clean potable water at least once every week. Thoroughly cleanse tank at least once every month.

NOTE: Acanthamoeba survive mild chlorination and are commonly found in tap water. Antimicrobial Preservative Haws Model 9082 will prevent the growth of Acanthamoeba. Hot water, 158° F (70° C) or hotter will destroy Acanthamoeba but must be allowed to cool prior to use in eyewash units.

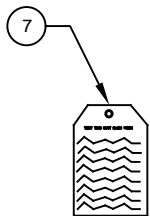
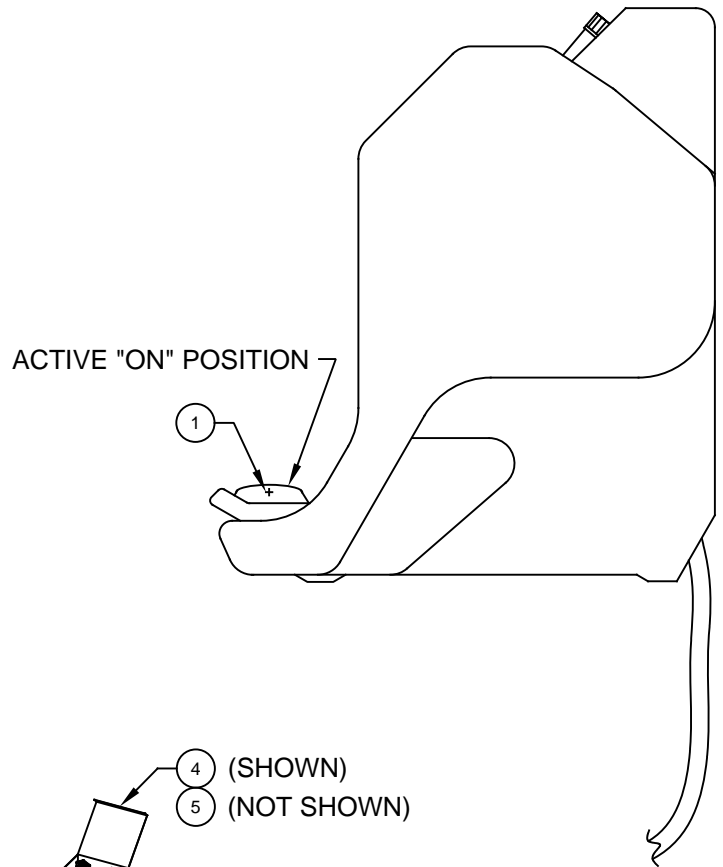
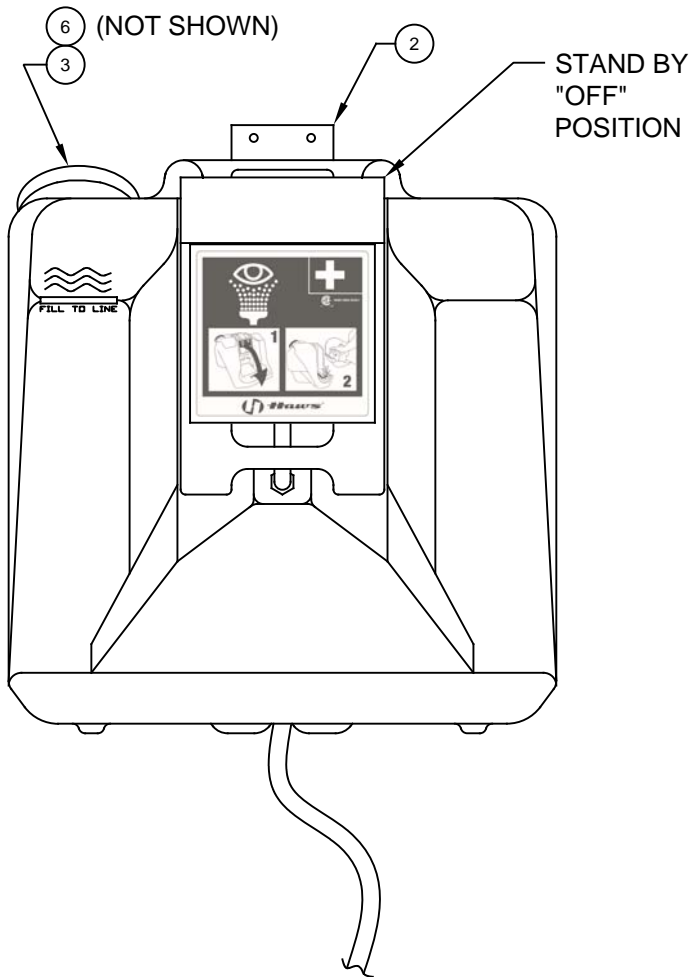
STEP 3: After activating units for whatever reason, ensure the following steps are implemented:

- A. Refill tank with potable water to the watermark line.
- B. If water is discharged for any reason – follow Procedure A or Procedure B of Step 2 above to ensure that water quality is maintained.

TROUBLESHOOTING	
PROBLEM	REPAIR CHECKLIST
1. No flow.	1. a. Tank empty. Refill tank. b. Obstruction in line or fitting. Clear obstruction.
2. Poor flow from eyewash head(s).	2. a. Tighten head assembly. b. Check for obstructions. If necessary, remove eyewash head(s), clean and reassemble. To reassemble head, place cap screw through head and thread into head anchor two or three turns. Tilt head assembly and work anchor legs into eyewash armholes. Tighten assembly. Check for leaks.
3. Water leak between joints or fittings.	3. a. Pull hose off fitting. Smooth raised plastic edge on center of fitting. Return hose and hose clamp to original position. b. Tighten hose clamp(s) with pliers.
4. Eyewash flows for less than 15 minutes.	4. a. Fill water level in eyewash tank even with water fill line (indicated on front of unit).
5. Excessive water loss.	5. a. Check unit for leaks. Some loss due to evaporation is normal.

ITEM	DESCRIPTION	PART NO.
1	EYEWASH HEAD ASSEMBLY	SP19
2	BRACKET	0001217418
3	CAP	0310000325
4	ANTIMICROBIAL PRESERVATIVE (4-PACK)	9082
5	ANTIMICROBIAL PRESERVATIVE (12-PACK)	9082-C
6	LABEL, CAP, REFILL	0003163925
7	INSPECTION TAG	SP170

PARTS BREAKDOWN

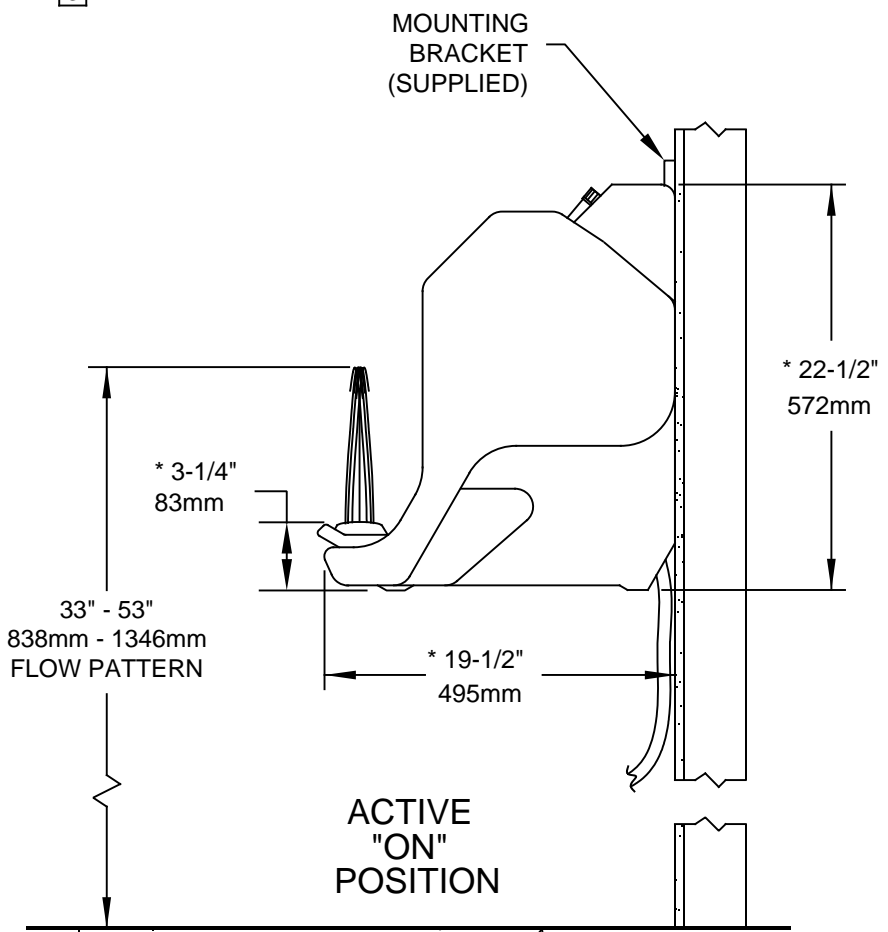
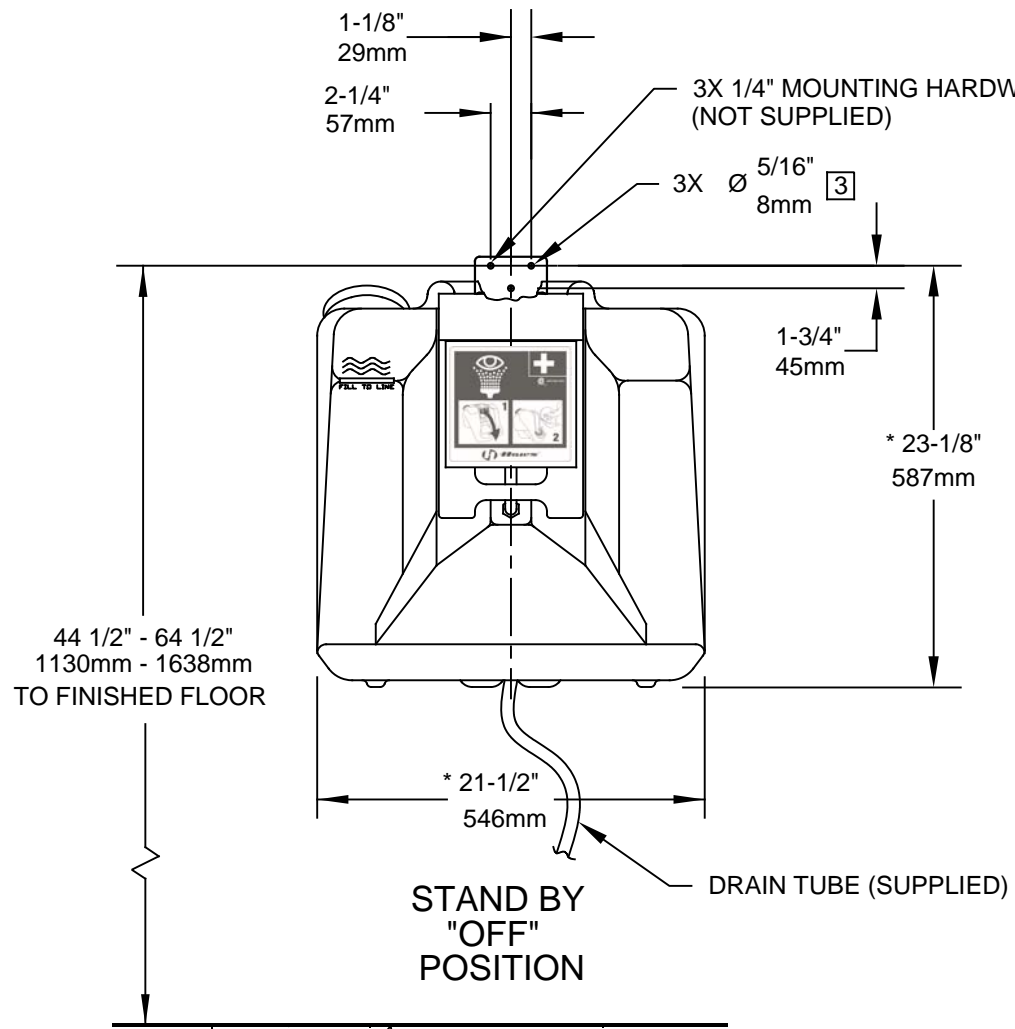


(ITEMS 4 & 5 NOT SUPPLIED, MUST BE ORDERED SEPARATELY)

(NOT SUPPLIED, MUST BE ORDERED SEPARATELY)


WHEN ORDERING PARTS PLEASE SPECIFY MODEL NUMBER.

			1455 KLEPPE LANE SPARKS, NEVADA 89431 (775) 359-4712 FAX (775) 359-7424 E-MAIL: HAWS@HAWSCO.COM WEBSITE: WWW.HAWSCO.COM	
			ECN NO. REVISED PER BY ECN: 5471 DB	MODEL(S) 7500
DRAWN CLF DATE 06/24/93 CHKD JS	APPROVED IR DATE 03/18/20	SCALE: 1/4 DRAWING TYPE: PARTS BREAKDOWN	REVISION 22	
SIZE: A SHEET 1 OF 1			SHEET 1 OF 1	



NOTES:

1. TO COMPLY WITH ANSI Z358.1-2014 FOR EMERGENCY EYEWASH OR EYE/FACE WASH: EYEWASH OR EYE/FACE WASH SHALL BE POSITIONED SUCH THAT FLUSHING FLUID PATTERN IS NOT LESS THAN 33" (838mm) AND NO GREATER THAN 53" (1346mm) FROM SURFACE ON WHICH USER STANDS; AND 6.0" (153mm) MINIMUM FROM WALL OR NEAREST OBSTRUCTION.
2. UNIT MUST BE LEVEL FROM FRONT TO BACK AND SIDE TO SIDE.
- 3 ALL THREE MOUNTING HOLES ON MOUNTING-BRACKET MUST BE USED TO PROPERLY SECURE EYEWASH UNIT TO WALL.
4. WHEN INSTALLING THIS UNIT, LOCAL , STATE, OR FEDERAL CODES SHOULD BE ADHERED TO FOR INSTALLATION DIMENSIONS (LOCATIONS), WASTE AND SUPPLY REQUIREMENTS, ETC.
5. *DIMENSIONS MAY VARY ±1/2" [12.7mm]

		Haws ®		1455 KLEPPE LANE SPARKS, NEVADA 89431 (775) 359-4712 FAX (775) 359-7424 E-MAIL: HAWS@HAWS.CO.COM WEBSITE: WWW.HAWS.CO.COM	
				ECN NO. REVISED PER BY: ECN: 5471 DB	MODEL(S)
DRAWN: C.H.	DATE: 5/21/91	CHKD.: JS	7500	0002080058.D	REVISION
APPROVED: IR	DATE: 03/18/20	SCALE: 1/10	DRAWING TYPE: INSTALLATION	SIZE: A	SHEET 1 OF 1