



INSTALLATION, OPERATION & MAINTENANCE INSTRUCTIONS

1455 Kleppe Lane ♦ Sparks, NV 89431-6467 ♦ (775) 359-4712 ♦ Fax (775) 359-7424
E-mail: haws@hawsco.com ♦ website: www.hawsco.com

No. 0002080045 (18)

Model 7501/7501T/7501T240 Portable Eyewash/Portable Eyewash with Heater

NOTE TO INSTALLER: Please leave this information with the Maintenance Department.

LIMITED WARRANTY

HAWS warrants that this specific product is guaranteed against defective material or poor workmanship for a period of **one year from date of shipment**. HAWS liability under this warranty shall be discharged by furnishing without charge F.O.B. HAWS Factory any goods, or part thereof, which shall appear to the Company upon inspection to be of defective material or not of first class workmanship, provided that claim is made in writing to Haws within a reasonable period after receipt of the product. Where claims for defects are made, the defective part or parts shall be delivered to the Company, prepaid, for inspection. HAWS will not be liable for the cost of repairs, alterations or replacements, or for any expense connected therewith made by the owner or his agents, except upon written authority from HAWS, Sparks, Nevada. HAWS will not be liable for any damages caused by defective materials or poor workmanship, except for replacements, as provided above. Buyer agrees that Haws has made no other warranties either expressed or implied in addition to those above stated, except that of title with respect to any of the products or equipment sold hereunder and that HAWS shall not be liable for general, special, or consequential damages claimed to arise under the contract of sale.

The emergency equipment manufactured by HAWS is warranted to function if installation and maintenance instructions provided are adhered to. The units also must be used for the purpose for which they were intended. This product is intended to supplement first-aid treatment. Due to widely varying conditions, Haws cannot guarantee that the use of this emergency equipment will prevent serious injury or the aggravation of existing or prior injuries.

NO OTHER WARRANTIES EXPRESSED OR IMPLIED ARE AUTHORIZED, PROVIDED OR GIVEN BY HAWS.

**SHOULD YOU EXPERIENCE DIFFICULTY WITH THE INSTALLATION OF
THIS MODEL PLEASE CALL:**

TECHNICAL SUPPORT: 1-800-766-5612

FOR CUSTOMER SERVICE: 1-888-640-4297

CAUTION : A GROUND FAULT DEVICE MUST BE USED WITH THIS HEATING DEVICE.

ATTENTION : CE PRODUIT DOIT ÊTRE UTILISÉ AVEC UNE PROTECTION DE MISE À LA TERRE.

RECOMMENDED TOOLS: Three 1/4" diameter anchors suitable for supporting filled eyewash (approximately 80 pounds), and tools needed to install these anchors.

LOCATION OF UNIT: The Model 7501/7501T/7501T240 eyewash units should be installed in close proximity to potential accident areas. It should be clearly identified, free from obstructions and easily accessible. **IMPORTANT: Model 7501 eyewash units (non-insulated) shall be protected from freezing. Models 7501/7501T/7501T240 shall not have internal temperatures exceeding 38°C (100°F) and shall not be exposed to ambient temperatures exceeding 38°C (100°F). Be careful of direct sunlight.**

ELECTRICAL CONNECTIONS: (reference manual supplied with heating blanket)

Model 7501T – 120VAC, 60 Hz, 1.38A. Requires a three-prong outlet and is supplied with a heavy-duty 8 foot power cord with GFCI plug. Unit is suitable for installation and use in NEMA/TYP E 3R areas. Must be used with NEMA/TYP E 3R certified covered outlet (not supplied). **DURING POTENTIAL FREEZING PERIODS INSURE THAT UNIT IS CONNECTED TO A CONTINUOUS POWER SUPPLY.**

Model 7501T240 – 240VAC, 50/60 Hz, 0.64A. Requires a 240VAC outlet and is not supplied with a power cord which must be installed by the user. Unit is suitable for installation and use in NEMA/TYP E 4 areas. Power connection to be per local code using flexible conduit or cable rated NEMA/TYP E 4 – no rigid connection permitted. **MUST BE PROTECTED BY A Class A GROUND FAULT CIRCUIT INTERRUPTER (GFCI). DURING POTENTIAL FREEZING PERIODS INSURE THAT UNIT IS CONNECTED TO A CONTINUOUS POWER SUPPLY.**

AMBIENT TEMPERATURE RATINGS:

MODEL 7501: 60°F (16°C) TO 100° (38°C)

MODEL 7501T: -22°F (-30°C) TO 100°F (38°C)

MODEL 7501T240: -30°F (-35°C) TO 100°F (38°C)

INSTALLATION INSTRUCTIONS

NOTE: Instructions apply to all models unless otherwise specified.

STEP 1: **Models 7501T/7501T240:** Install the blanket and connect to power source per the Installation Manual provided with the heating blanket.

CAUTION – DO NOT ENERGIZE THE HEATING BLANKET POWER SOURCE UNTIL THE EYEWASH IS FILLED WITH FLUSHING FLUID (UP TO FILL LINE).

NOTICE: MODEL 7501T240 REQUIRES MINIMUM NEMA/TYP 4 COMPLIANT EQUIPMENT. ALL POWER CONNECTIONS MUST BE MADE ACCORDING TO NEC/CEC CODE USING FLEXIBLE CONDUIT OR CABLE RATED FOR NEMA/TYP 4 – NO RIGID CONNECTION PERMITTED.

STEP 2: **Model 7501:** Mount unit to wall utilizing “J” bracket (supplied). Note: ¼” mounting hardware not supplied. See Installation Drawing on Page 7 of 8.

Model 7501T/7501T240: Mount eyewash unit to wall utilizing “J” bracket and three aluminum spacers (supplied). Locate one aluminum spacer behind each bolt hole in “J” bracket. Note: ¼” mounting hardware is not supplied. See Installation Drawing on Page 8 of 8.

STEP 3: Make sure portable eyewash unit is level from front to back and left to right before securing bracket to wall. Eyewash nozzles should be between 33 inches (83.8 cm) and 53 inches (164.6 cm) above the floor when eyewash arm is in the active (lowered) position (See Installation Drawings, pages 7 and 8 of 8).

Filled eyewash unit is heavy (approximately 80 pounds). Wall bracket anchors (Quantity 3 - not supplied) must be strong enough to support the filled eyewash and the weight of a worker leaning on eyewash.

STEP 4: Fill up to fill line (see important note above). Requires 8.75 gallons (max) of water, (make sure that no debris or contaminants of any kind are present in the flushing fluid). Make sure unit is level from front to back and left to right. If installed as indicated, eyewash unit will provide 15-minute duration of flow. Add Antimicrobial Preservative Haws Model 9082 as directed (see step 2 under Maintenance Section).

IMPORTANT – DO NOT FILL PAST WATER FILL LINE AS LEAKAGE WILL OCCUR AT THE EYEWASH HEADS.

STEP 5: **Model 7501T/7501T240:** Energize power source and verify operation of heating blanket. (Refer to heating blanket Operation Manual)

STEP 6: Take proper precautions to help prevent the growth of potentially harmful bacteria in eyewash tanks. (Refer to Maintenance Instructions)

IMPORTANT SAFETY NOTICE

THE NATIONAL ELECTRICAL CODE REQUIRES GROUND-FAULT EQUIPMENT PROTECTION ON EACH HEATING CABLE BRANCH CIRCUIT. TO REDUCE THE RISK OF FIRE CAUSED BY DAMAGE OR IMPROPER INSTALLATION, CIRCUIT BREAKERS SUCH AS SQUARE D QO-EPD AND QOB-EPD OR EQUIVALENT, WITH A 30mA TRIP LEVEL, SHOULD BE USED. PLEASE SUBSTITUTE THESE BREAKERS WHEREVER REFERENCE IS MADE TO CONVENTIONAL BREAKERS IN THIS DOCUMENT. ALTERNATIVE DESIGNS PROVIDING COMPARABLE LEVELS OF GROUND-FAULT PROTECTION MAY ALSO BE ACCEPTABLE.

OPERATING INSTRUCTIONS

Instruct all employees in the use of this Emergency Eyewash. Personnel should be assigned to check eyewash liquid level daily.

- STEP 1:** Lead patient to nearest eyewash station. Seconds can make the difference in preventing serious eye injury.
- STEP 2:** Pull yellow eyewash arm firmly. Eyewash arm will drop to activate eyewash.
- STEP 3:** Lower head until eyes enter eyewash stream. Use thumbs and forefingers to hold eyelids open. Flush for 15 minutes.
- STEP 4:** Seek qualified medical attention immediately.

MAINTENANCE INSTRUCTIONS

NOTE: Customer must provide an inspection tag and maintain a record of inspections dates and type of maintenance performed (i.e. adding Antimicrobial Preservative Haws Model 9082, etc.)

STEP 1: Self-contained eyewash equipment shall be visually checked to determine if flushing fluid needs to be changed or supplemented. See STEP 3 for additional information regarding activated units.

Frequency of inspection: Depending on environmental conditions, visual inspections should be performed on either a daily, weekly or monthly basis as some water loss will occur due to natural evaporation process.

STEP 2: Take proper precautions to help prevent the growth of potentially harmful bacteria in eyewash tanks. Utilize **either** of the following procedures:

NOTE: **Disconnect Model 7501T/7501T240 from power source before performing any maintenance.**

Procedure A: Use a suitable Antimicrobial Preservative such as Haws Model 9082 to help prevent the growth of bacteria in eyewash tank. Eyewash tank should be drained, flushed and refilled with clean potable water and Antimicrobial Preservative Haws Model 9082 as directed by the preservative's manufacturer.

Procedure B: Drain, flush and refill portable units with clean potable water at least once every week. Thoroughly cleanse tank at least once every month.

NOTE: Acanthamoeba survive mild chlorination and are commonly found in tap water. Antimicrobial Preservative Haws Model 9082 will prevent the growth of Acanthamoeba. Hot water, 158°F (70°C) or hotter will destroy Acanthamoeba but must be allowed to cool prior to use in eyewash units.

- STEP 3:** After activating units for any reason ensure the following steps are implemented:
- A.** Refill tank with potable water to the watermark line.
 - B.** If water is discharged for any reason – follow Procedure A or Procedure B of Step 2 above to ensure that water quality is maintained.

TROUBLESHOOTING

PROBLEM	REPAIR CHECKLIST
1. No flow.	1. a. Tank empty. Refill tank (8.75 gallons). b. Obstruction in line or fitting. Clear obstruction.
2. Poor flow from eyewash head(s).	2. a. Tighten head assembly. b. Check for obstructions. If necessary, remove eyewash head(s), clean and reassemble. To reassemble head, place cap screw through head and thread into head anchor two or three turns. Tilt head assembly and work anchor legs into eyewash armholes. Tighten assembly. Check for leaks.
3. Water leak between joints or fittings.	3. a. Pull hose off fitting. Smooth raised plastic edge on center of fitting. Return hose and hose clamp to original position. b. Tighten hose clamp(s) with pliers.
4. Water leaking from eyewash heads.	4. a. Check to see if water level has exceeded water fill line (indicated on side of unit). If so, remove excess water till fill line is reached. b. Make sure unit is level from front to back and left to right.
5. Eyewash flows for less than 15 minutes.	5. Fill water level in eyewash tank even with water fill line (indicated on side of unit).
6. Excessive water loss	6. Check unit for leaks. Some loss due to evaporation is normal.
7. Heater doesn't turn on. (Model 7501T/7501T240)	7. a. Not plugged in or no power to outlet. Check GFCI plug (7501T only) and circuit breaker. b. If ambient temperature is high and doesn't allow the blanket temperature to drop below 67°F (19°C) the heater may not switch on. Heater settings are: Non-adjustable thermostat preset to switch on at 67°± 5°F (17°± 3°C) and switch off 77°± 5°F (25°± 3°C). Test the thermostat and heater function by applying ice thermostat for approximately 3-5 minutes. The heat trace cable should become warm to the touch when operating properly. Thermostat is located on junction box.

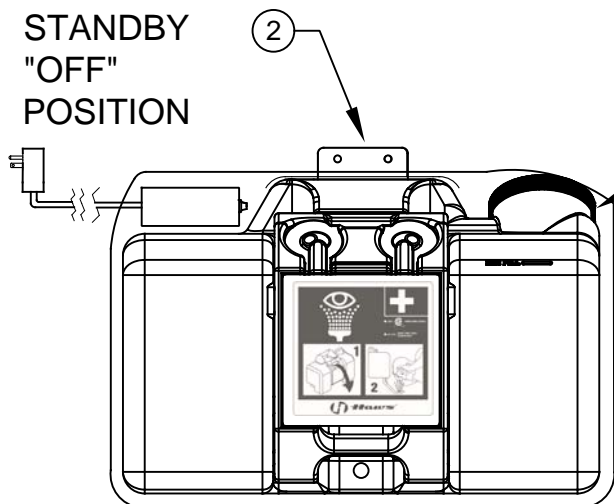
For more information on Haws products, see our website: www.hawesco.com

ITEM	DESCRIPTION	PART NO.
1	EYEWASH HEAD ASSY	SP19
2	BRACKET	0001217418
3	CAP	0310000325
4	LABEL, CAP, REFILL	0003163925
5	ANTIMICROBIAL PRESERVATIVE (4-PACK)	9082
6	ANTIMICROBIAL PRESERVATIVE (12-PACK)	9082-C
7	ALUMINUM SPACER	0310000166
8	BLANKET	*SEE TABLE
9	INSPECTION TAG	SP170

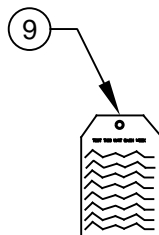
PARTS BREAKDOWN

MODELS 7501T/7501T240

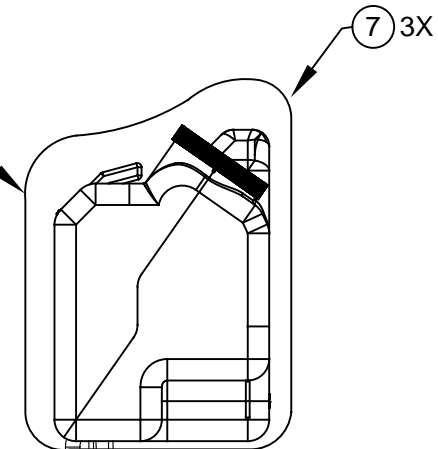
STANDBY
"OFF"
POSITION



4 NOT SHOWN



(NOT SUPPLIED, MUST BE ORDERED SEPARATELY)



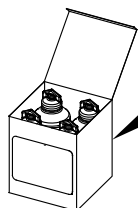
ACTIVE
"ON"
POSITION

MODEL	BLANKET P/N
7501T	7501BL
7501T240	7501BL240

(7501T SHOWN)

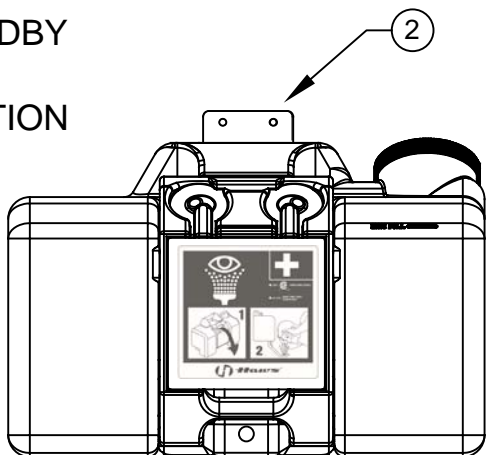
5 (SHOWN)

6 (NOT SHOWN)

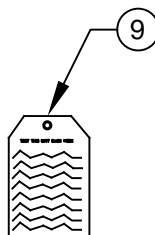


(ITEMS 5 & 6 NOT SUPPLIED, MUST BE ORDERED SEPARATELY)

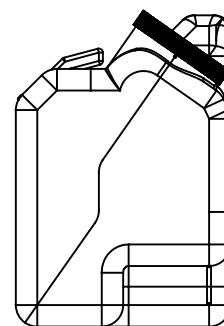
STANDBY
"OFF"
POSITION



4 NOT SHOWN



(NOT SUPPLIED, MUST BE ORDERED SEPARATELY)

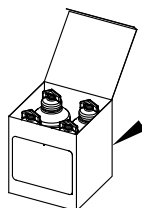


ACTIVE
"ON"
POSITION

MODEL 7501

5 (SHOWN)

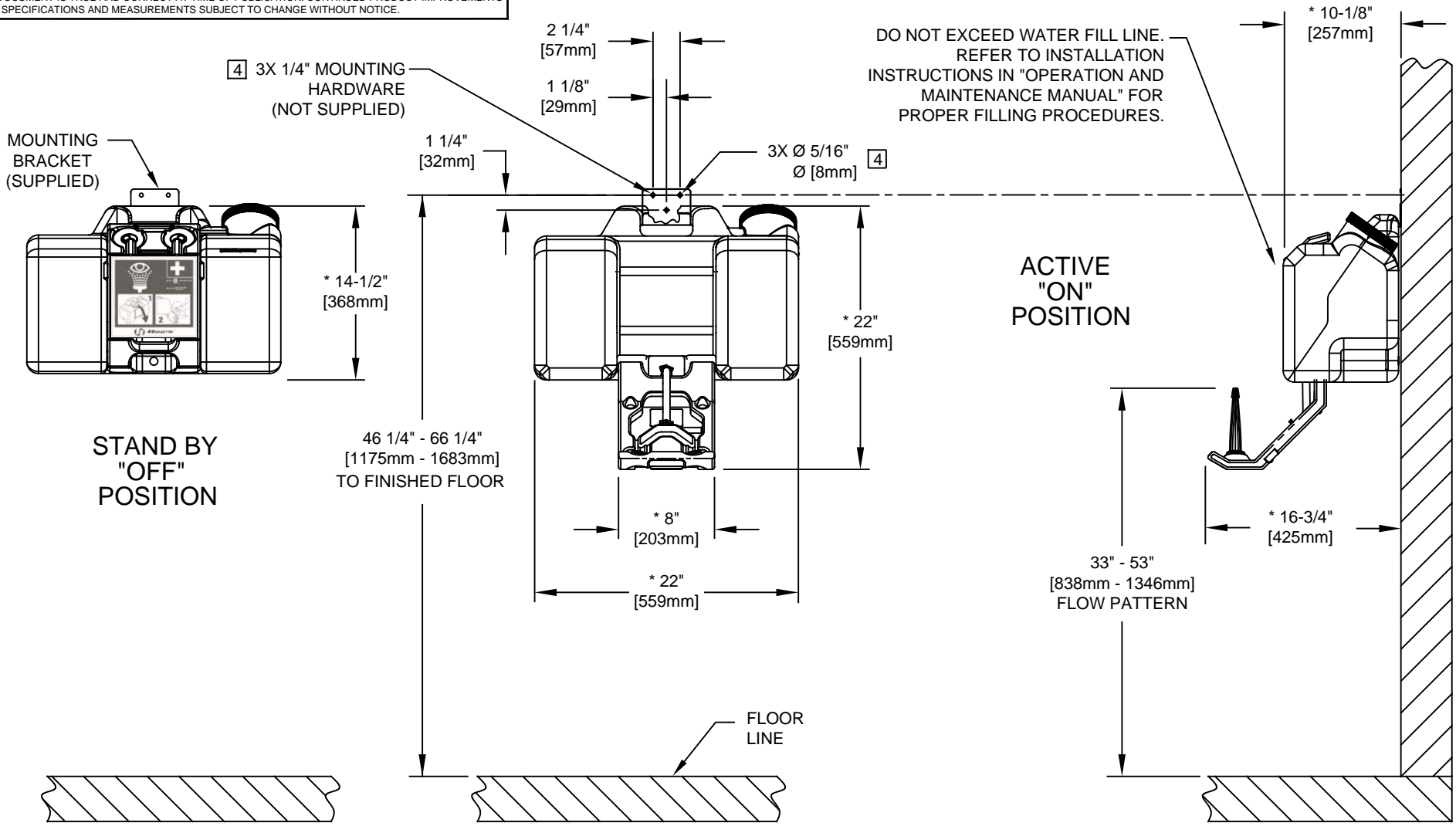
6 (NOT SHOWN)



(ITEMS 5 & 6 NOT SUPPLIED, MUST BE ORDERED SEPARATELY)

WHEN ORDERING PARTS PLEASE SPECIFY MODEL NUMBER.

		1455 KLEPPE LANE SPARKS, NEVADA 89431 (775) 359-4712 FAX (775) 359-7424 E-MAIL: HAWS@HAWSCO.COM WEBSITE: WWW.HAWSCO.COM	
		ECN NO. 5086 DRAWN RTM APPROVED IR	REVISED PER ECN: 5471 DATE 04/16/04 DATE 03/18/20
			PART NUMBER 0002080045 REVISION 18

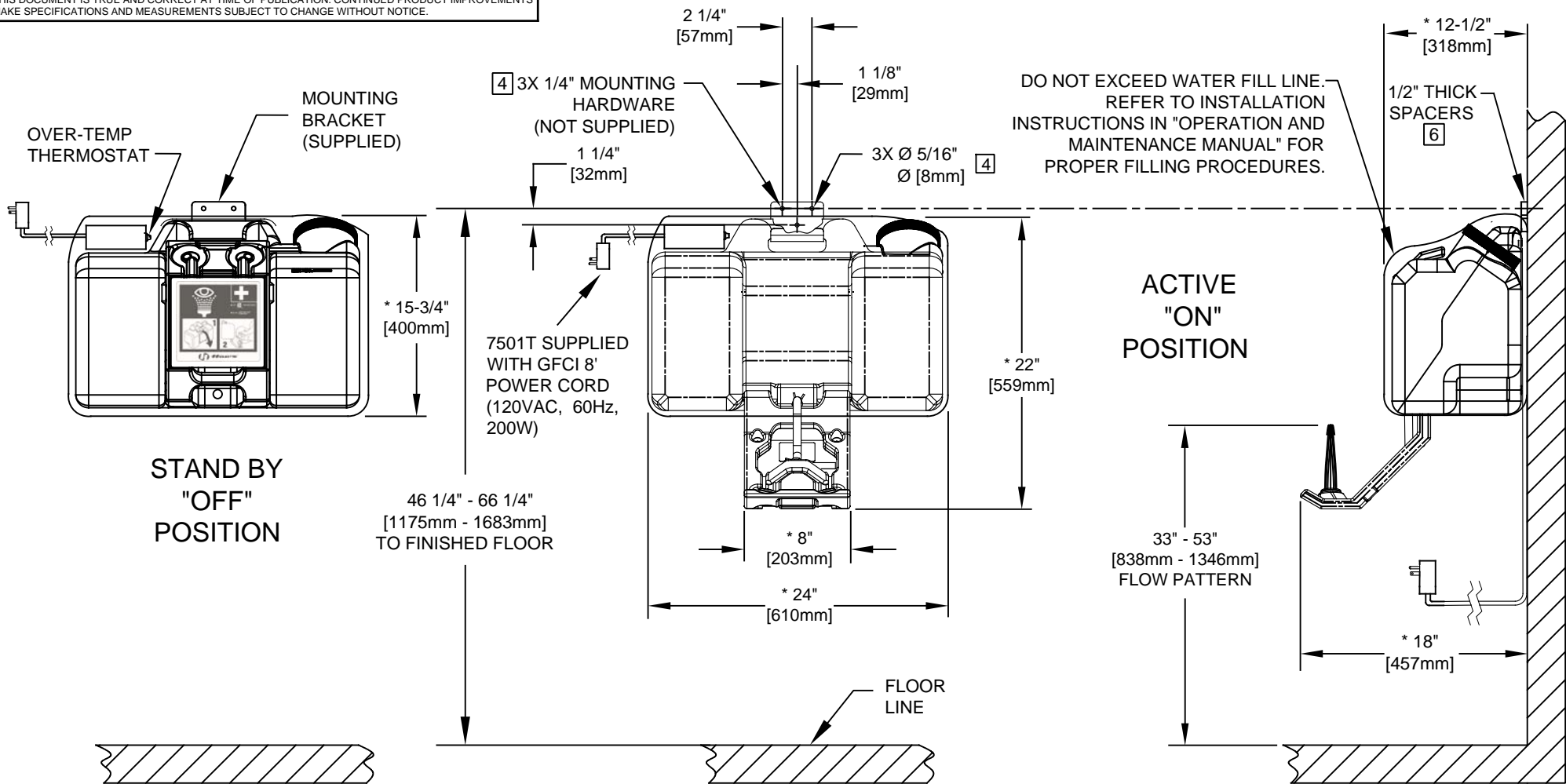


- NOTES:**
1. WHEN INSTALLING THIS UNIT, LOCAL, STATE, OR FEDERAL CODES SHOULD BE ADHERED TO FOR INSTALLATION DIMENSIONS (LOCATIONS), WASTE AND SUPPLY REQUIREMENTS, ETC.
 2. TO COMPLY WITH ANSI Z358.1-2014 FOR EMERGENCY EYEWASH OR EYE/FACE WASH: EYEWASH OR EYE/FACE WASH SHALL BE POSITIONED SUCH THAT FLUSHING FLUID PATTERN IS NOT LESS THAN 33" (838mm) AND NO GREATER THAN 53" (1346 mm) FROM SURFACE ON WHICH USER STANDS; AND 6.0" (153mm) MINIMUM FROM WALL OR NEAREST OBSTRUCTION.
 3. UNIT MUST BE LEVEL FROM FRONT TO BACK AND SIDE TO SIDE.
 4. ALL THREE MOUNTING HOLES ON MOUNTING-BRACKET MUST BE USED TO PROPERLY SECURE EYEWASH UNIT TO WALL.
 5. DIMENSIONS MAY VARY ±1/2" [12.7 mm]
 6. LOCATE ONE 1/2" THICK SPACER (QTY. 3 SUPPLIED) BEHIND EACH HOLE IN THE MOUNTING BRACKET AS SHOWN. (MODEL 7501T & 7501T240 ONLY)
 7. **UNIT MUST BE FILLED WITH WATER BEFORE CONNECTING TO POWER SOURCE.**

(NOTES CONTINUED ON SHEET 2)

MOUNTING DETAILS:
 MODEL 7501 SHOWN. FOR MODELS 7501T/7501T240 WITH HEATED BLANKET SEE SHEET 2 OF 2.

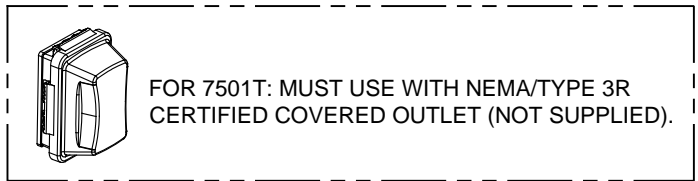
		1455 KLEPPE LANE SPARKS, NEVADA 89431 (775) 359-4712 FAX (775) 359-7424 E-MAIL: HAWS@HAWS.CO.COM WEBSITE: WWW.HAWS.CO.COM	
		ECN NO. 5086 ECN: 5471 DRAWN: MJ DATE: 06/30/16 APPROVED: IR DATE: 03/18/20	BY: DB CHK'D: JS
SCALE: 1:1		DRAWING TYPE: INSTALLATION	
SIZE: A		SHEET 1 OF 2	



NOTES: (CONTINUED FROM SHEET 1 OF 2)

(FOR MODEL 7501T240)

8. CORD SET SHALL BE LISTED TO UL 817 AND CSA-C22.2 NO. 21 AND PROVIDED WITH 3 WIRE GROUNDING TYPE ATTACHMENT PLUG RATED 240 V, MIN. 15 A.
9. THE FLEXIBLE CORD TYPE SHALL BE TYPE S, SE, SJ, SJE, SJO, SJOO, SJT, SJTO, SJTOO, SO, SOO, ST, STO, OR STOO AND HAVE A TYPE LETTER SUFFIX OF "W," "W-A" OR "OUTDOOR."
10. THE CORD SET SHALL BE MIN. 6 FT IN LENGTH AND MIN 18 AWG SIZE FOR FLEXIBLE POWER SUPPLY CORD.
11. LISTED STRAIN RELIEF BUSHING SUITABLE FOR CORD SET SIZE AND OUTDOOR USE SHALL BE USED.
12. ALL MODELS MUST HAVE A GROUND FAULT PROTECTION DEVICE (30mA GFEPD) FOR HEAT TRACE. ELECTRICAL CURRENTS MAY BE INSUFFICIENT TO TRIP A CONVENTIONAL CIRCUIT BREAKER. ALL INSTALLATIONS MUST BE INSTALLED IN COMPLIANCE WITH LOCAL, STATE, AND/OR FEDERAL CODES.
13. ALL POWER CONNECTIONS MUST BE MADE ACCORDING TO NEC/CEC CODE USING FLEXIBLE CONDUIT OR CABLE RATED FOR NEMA/TYPE 4 - NO RIGID CONNECTION PERMITTED. MODEL 7501T240 REQUIRES MINIMUM NEMA/TYPE 4 COMPLIANT EQUIPMENT.
14. THE FIELD INSTALLED POWER SUPPLY CORD SET NEEDS TO BE INSTALLED BY QUALIFIED PERSONNEL.



MOUNTING DETAILS FOR:
 MODELS 7501T/7501T240 - WITH HEATED BLANKET SHOWN.
 FOR MODEL 7501 SEE SHEET 1 OF 2.

		1455 KLEPPE LANE SPARKS, NEVADA 89431 (775) 359-4712 FAX (775) 359-7424 E-MAIL: HAWS@HAWS.CO.COM WEBSITE: WWW.HAWS.CO.COM	
ECN NO: 5086 DRAWN: MJ APPROVED: IR	REVISED PER: DB DATE: 06/30/16 DATE: 03/18/20	MODEL(S) 7501/7501T/7501T240	PART NUMBER 0002080045.D REVISION 18
SCALE: 1:1		DRAWING TYPE: INSTALLATION	