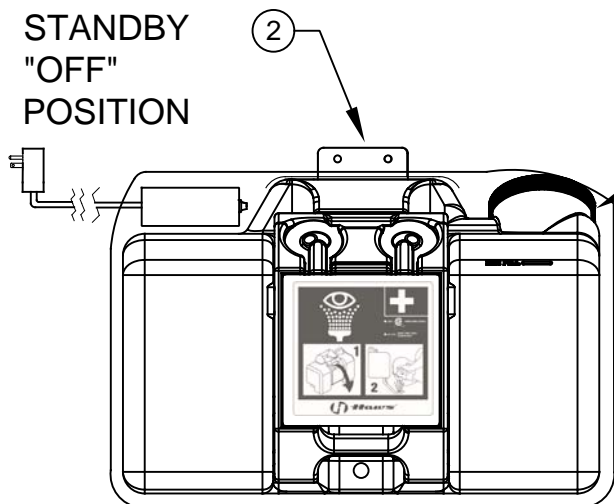


ITEM	DESCRIPTION	PART NO.
1	EYEWASH HEAD ASSY	SP19
2	BRACKET	0001217418
3	CAP	0310000325
4	LABEL, CAP, REFILL	0003163925
5	ANTIMICROBIAL PRESERVATIVE (4-PACK)	9082
6	ANTIMICROBIAL PRESERVATIVE (12-PACK)	9082-C
7	ALUMINUM SPACER	0310000166
8	BLANKET	*SEE TABLE
9	INSPECTION TAG	SP170

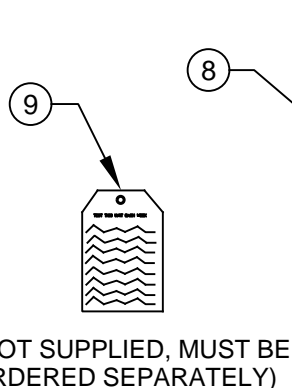
# PARTS BREAKDOWN

MODELS 7501T/7501T240

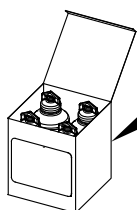
STANDBY  
"OFF"  
POSITION



4 NOT SHOWN



7 3X



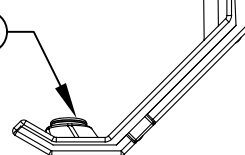
(7501T SHOWN)

5 (SHOWN)

6 (NOT SHOWN)

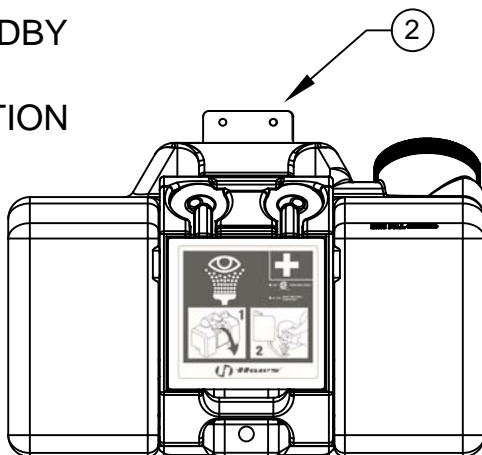
(ITEMS 5 & 6 NOT SUPPLIED, MUST BE ORDERED SEPARATELY)

ACTIVE  
"ON"  
POSITION

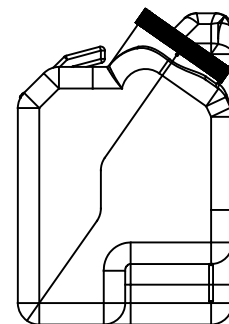
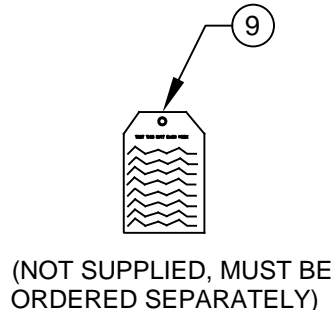


MODEL	BLANKET P/N
7501T	7501BL
7501T240	7501BL240

STANDBY  
"OFF"  
POSITION



4 NOT SHOWN




ACTIVE  
"ON"  
POSITION

MODEL 7501

(ITEMS 5 & 6 NOT SUPPLIED, MUST BE ORDERED SEPARATELY)

WHEN ORDERING PARTS PLEASE SPECIFY MODEL NUMBER.

 <b>Haws</b> ®		1455 KLEPPE LANE SPARKS, NEVADA 89431 (775) 359-4712 FAX (775) 359-7424 E-MAIL: HAWS@HAWSCO.COM WEBSITE: WWW.HAWSCO.COM	
ECN NO. 5086	REVISED PER ECN: 5471	BY DB	MODEL(S) 7501/7501T/7501T240
DRAWN RTM	DATE 04/16/04	CHKD JS	PART NUMBER 0002080045
APPROVED IR	DATE 03/18/20	SCALE: NA	REVISION 18
		DRAWING TYPE: PARTS BREAKDOWN	SIZE: A SHEET 1 OF 1